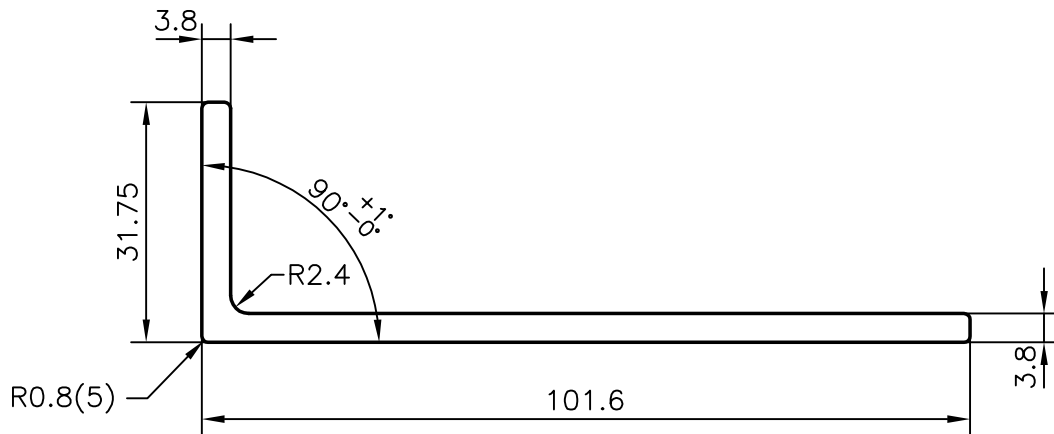


7814

27390



JINDAL ALUMINIUM LTD.
BANGALORE-560073

NAME

DATE

DRAWN

R.D.Sharma

11-8-95

CHECKED

APPROVED

1. ALL DIMENSIONS ARE IN mm.
2. ROUND OFF ALL SHARP CORNERS WITH 0.4 mm.
3. TOLERANCES WILL BE AS PER IS : 3965-1981
UNLESS OTHERWISE SPECIFIED

PARTY'S NAME

BHARAT ELECTRONICS LTD.,GHAZIABAD

SCALE

1:1

PARTY'S DRAWING No.

5161 408 501 24B

WEIGHT kg/m

1.330

ALLOY & TEMPER

HE20 W

SECTION No.

27390

LENGTH

4000 mm.

DRAWING No.

27390

DESCRIPTION

UNEQUAL ANGLE