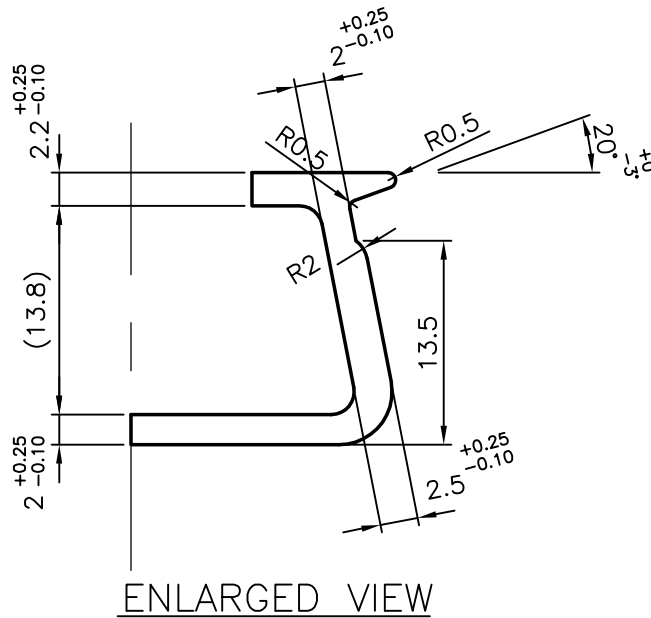
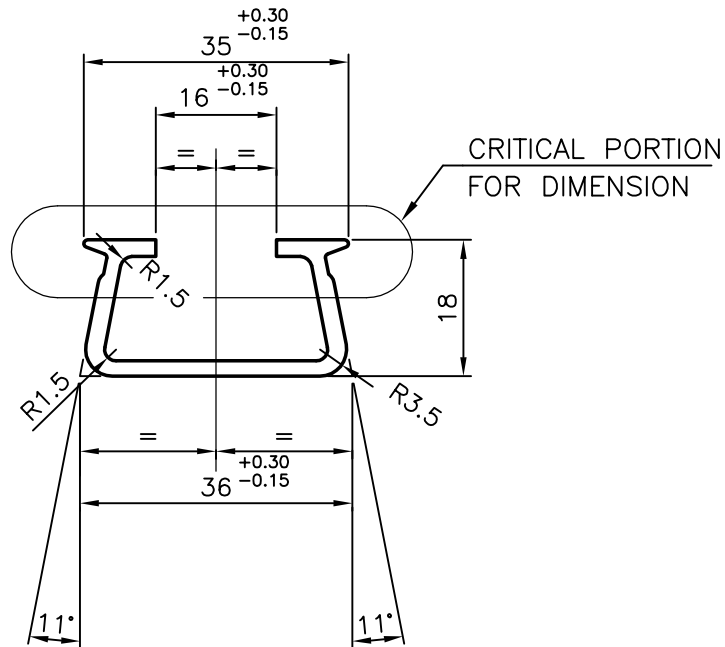


9122
27479



OPEN TOLERANCE - ±0.25



JINDAL ALUMINIUM LTD.
BANGALORE-560073 (INDIA)

	NAME	DATE
DRAWN	MALINGAPPA	10-12-2005
CHECKED		
APPROVED		

1. ALL DIMENSIONS ARE IN mm.
2. ROUND OFF ALL SHARP CORNERS WITH 0.40 mm.
3. TOLERANCES WILL BE AS PER IS:3965-1981 UNLESS OTHERWISE SPECIFIED

SCALE	1:1 & 2:1
AREA mm ²	169.626
PERIMETER mm.	159.475
WEIGHT kg/m	0.458

PARTY'S NAME	NGEF-AEG ENGG. CO. LTD., BANGALORE
PARTY'S DRAWING No.	G 0885-01 R2
ALLOY & TEMPER	HE9 WP
DESCRIPTION	C SECTION

DRAWING No.	SECTION No.
9122	9122
27479	27479