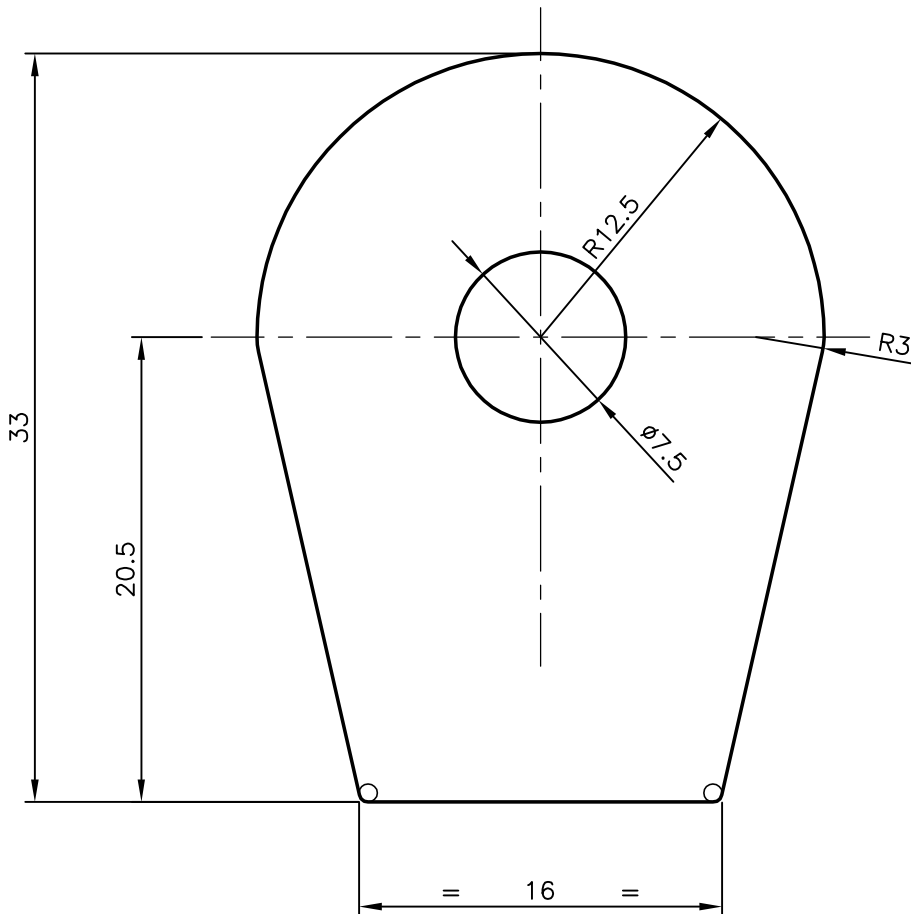
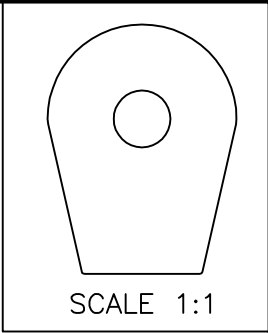



9168
27490
-



 SYMBOL OF QUALITY AN ISO 9001 COMPANY	<b>JINDAL ALUMINIUM LTD.</b> BANGALORE-560073 (INDIA)	NAME		DATE
		DRAWN	PRASANNA.H.	09-02-2007
1. ALL DIMENSIONS ARE IN mm. 2. ROUND OFF ALL SHARP CORNERS WITH 0.40 mm. 3. TOLERANCES WILL BE AS PER IS:6477-1983 UNLESS OTHERWISE SPECIFIED		CHECKED		
		APPROVED		
PARTY'S NAME ARAVIND ENGINEERING INDUSTRIES., PONDICHERY		SCALE		3:1
		AREA mm <sup>2</sup>		621.347
PARTY'S DRAWING No. CAMBODY-EXT		PERIMETER mm.		96.931
		WEIGHT kg/m		1.677
ALLOY & TEMPER IS:64430 (HE30 WP)		DRAWING No.	SECTION No.	
		9168	9168	
DESCRIPTION INDUSTRIAL SECTION		27490	27490	
		-	-	