

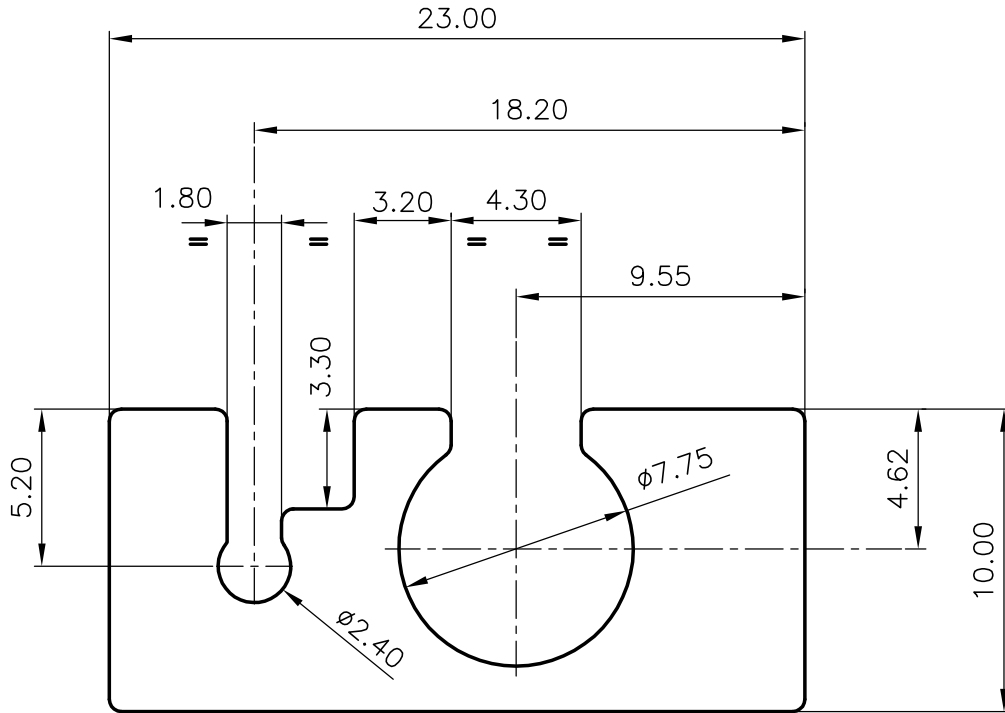
S540

9201

27501



1:1



SYMBOL OF QUALITY
AN ISO 9002 COMPANY

JINDAL ALUMINIUM LTD.
BANGALORE-560073 (INDIA)

	NAME	DATE
DRAWN	P,KULKARNI	4-7-2000
CHECKED		
APPROVED		
SCALE	4:1	
WEIGHT kg/m	0.428	
SECTION No.	27501	
DRAWING No.	27501	