

P-3256-1

S674

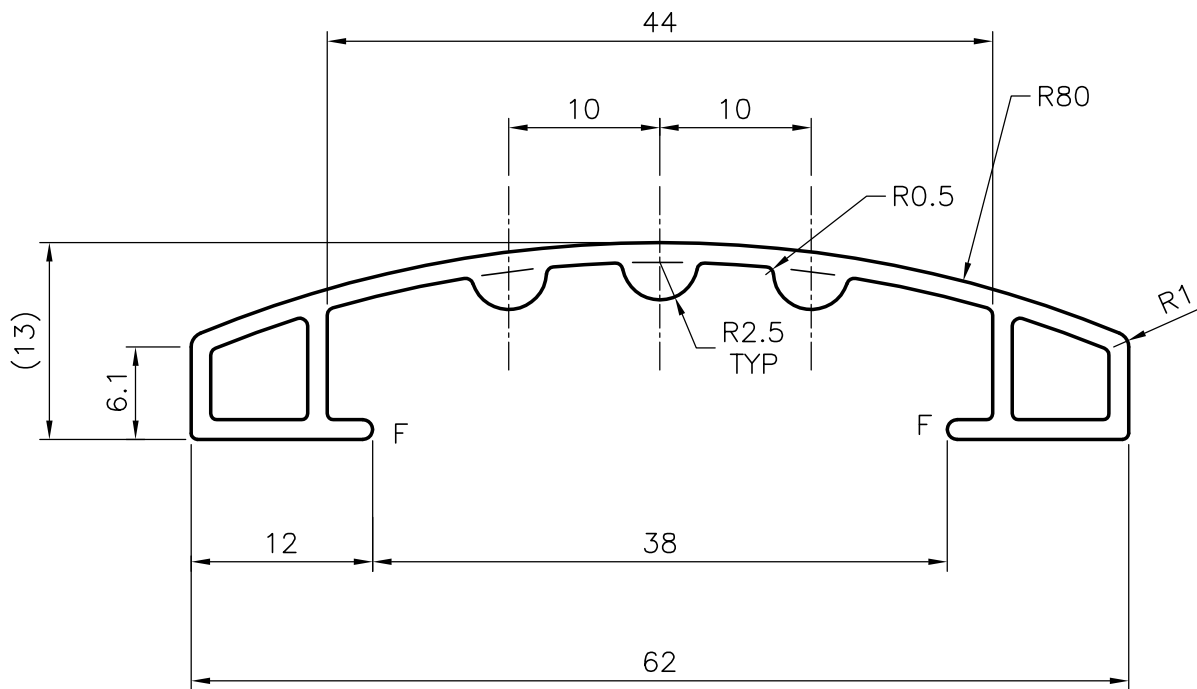
X164

9298

27538



SCALE 1:1



GENERAL WALL THICKNESS :-1.3mm (MIN)

F = FULL RADII (2-PLCS)



SYMBOL OF QUALITY AN ISO 9002 COMPANY

JINDAL ALUMINIUM LTD. BANGALORE-560073 (INDIA)

	NAME	DATE
DRAWN	RANGASWAMY	06-05-01
CHECKED		
APPROVED		
SCALE	2:1 , 1:1	
WEIGHT kg/m	0.467	
SECTION No.	27538	
DRAWING No.	27538	

1. ALL DIMENSIONS ARE IN mm.
2. ROUND OFF ALL SHARP CORNERS WITH 0.40 mm.
3. TOLERANCES WILL BE AS PER IS 6477-1983 UNLESS OTHERWISE SPECIFIED

PARTY'S NAME	EUROCOUSTIC PRODUCTS LTD KACHIGAM
PARTY'S DRAWING No.	AS PER DRAWING
ALLOY & TEMPER	HE9 WP
DESCRIPTION	MISC HOLLOW