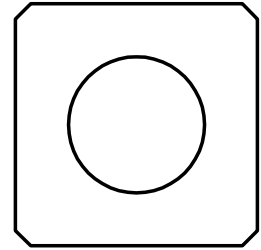


P-3813

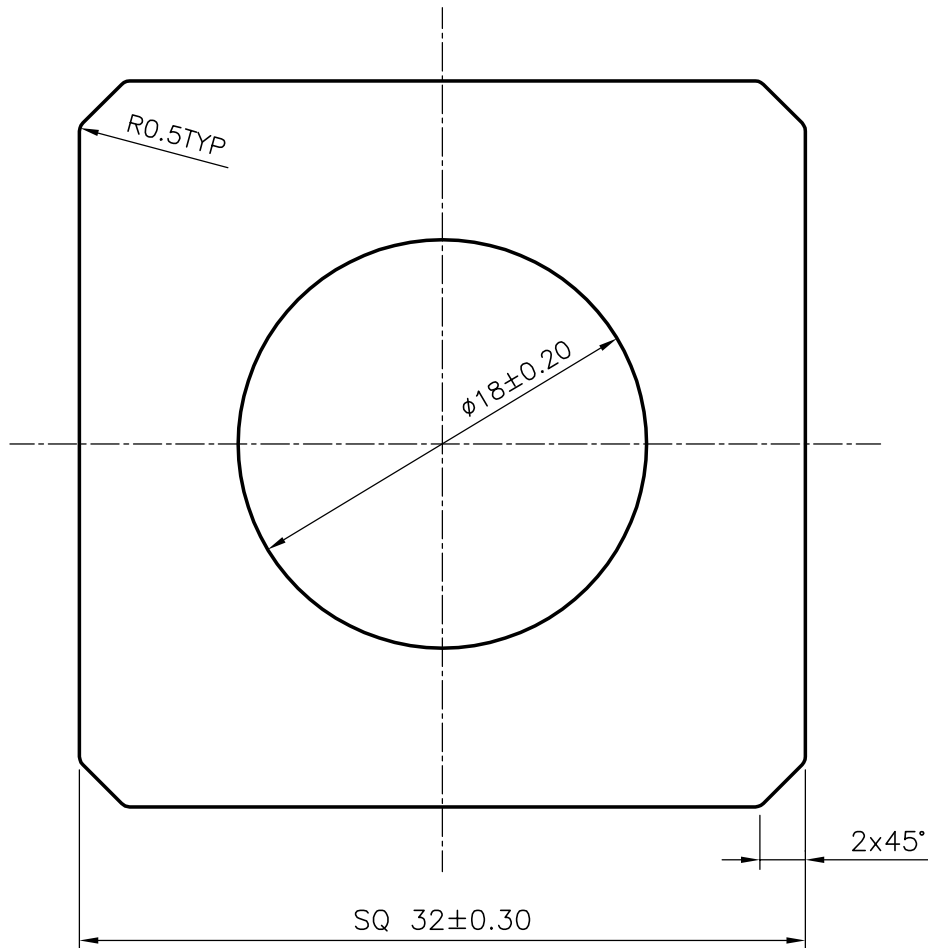
S879

7173

27539



SCALE 1:1



SYMBOL OF QUALITY
AN ISO 9002 COMPANY

JINDAL ALUMINIUM LTD.
BANGALORE-560073 (INDIA)

	NAME	DATE
DRAWN	RAGHAVENDRA	21-03-02
CHECKED		
APPROVED		

1. ALL DIMENSIONS ARE IN mm.
2. ROUND OFF ALL SHARP CORNERS WITH 0.40 mm.
3. TOLERANCES WILL BE AS PER IS 6477-1983 UNLESS OTHERWISE SPECIFIED

SCALE	3:1 & 1:1
AREA mm ²	761.53
PERIMETER	123.31mm
WEIGHT kg/m	2.066
SECTION No.	27539
DRAWING No.	27539

PARTY'S NAME	CONFIDENT DENTAL EQUIPMENT,. BANGALORE
PARTY'S DRAWING No.	AS PER DRAWING (AE454401)
ALLOY & TEMPER	HE9 WP
DESCRIPTION	MISC TUBE