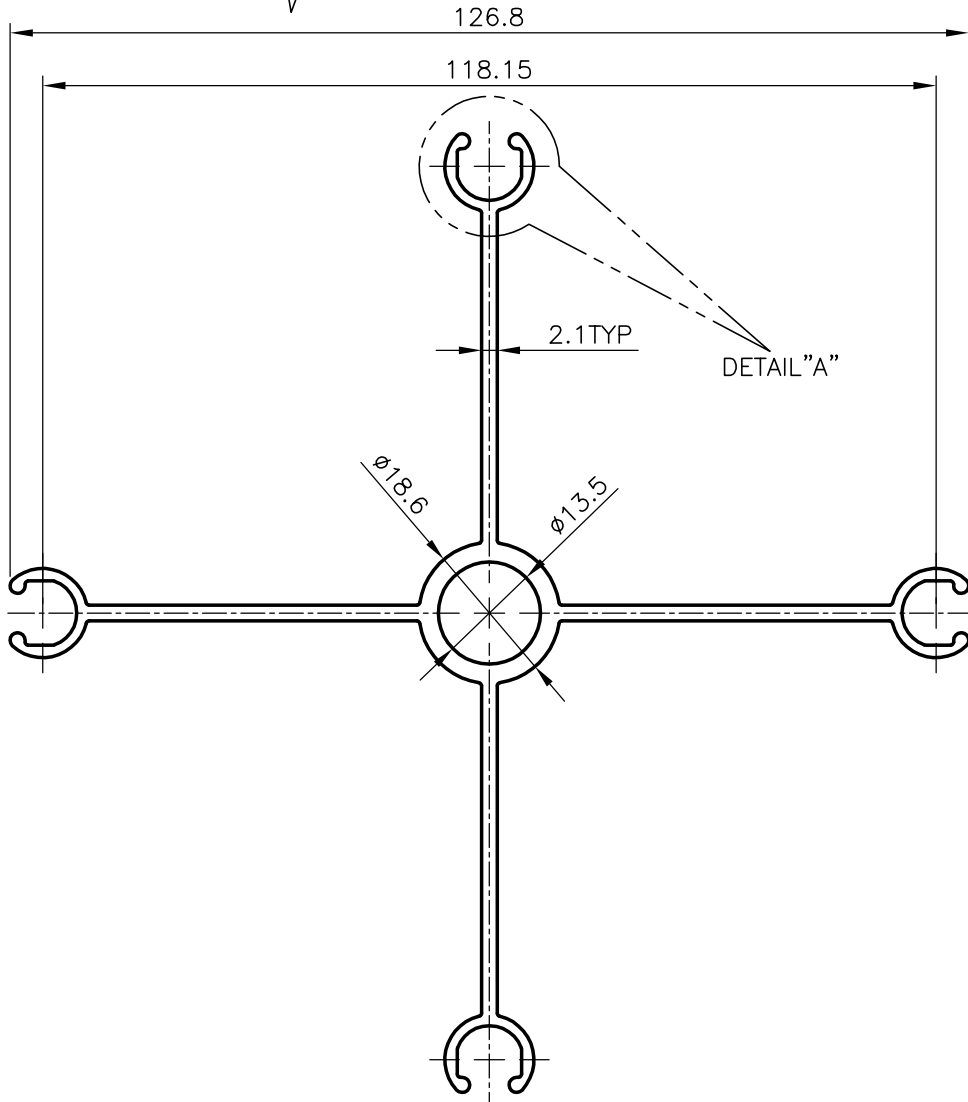
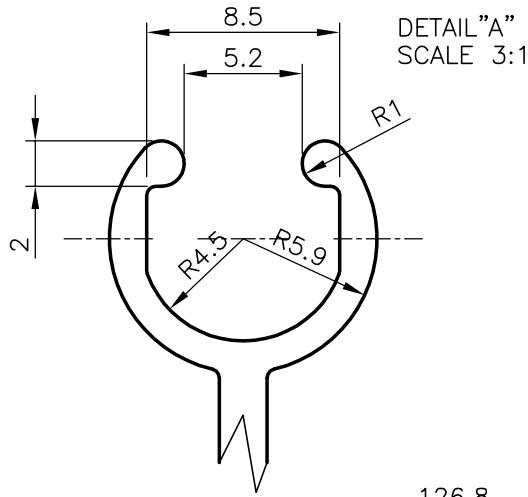


P-5206

27566



SYMBOL OF QUALITY
AN ISO 9001 COMPANY

JINDAL ALUMINIUM LTD.
BANGALORE-560073 (INDIA)

	NAME	DATE
DRAWN	RAJESH	23-12-2004
CHECKED		
APPROVED		
SCALE		1:1
AREA mm ²		651.396
PERIMETER mm.		611.771
WEIGHT kg/m		1.759

1. ALL DIMENSIONS ARE IN mm.
2. ROUND OFF ALL SHARP CORNERS WITH 0.4R.
3. TOLERANCES WILL BE AS PER BS:1474-1987 UNLESS OTHERWISE SPECIFIED

PARTY'S NAME	VOMFAIR, GERMANY (INSTA EXHIBITIONS, MUMBAI)	DRAWING No.	SECTION No.
PARTY'S DRAWING No.	AS PER SAMPLE	P-5206	-
ALLOY & TEMPER	6063 T6	27566	27566
DESCRIPTION	MISC. PROFILE		