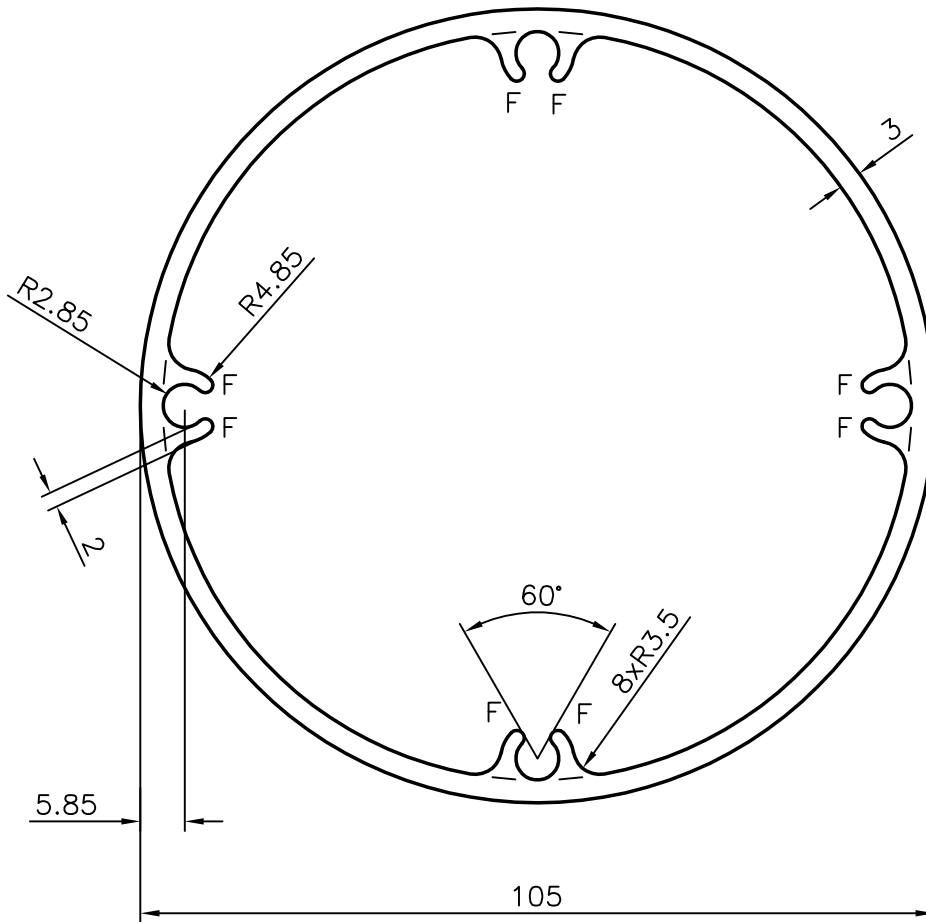


P-4403-1

S1074

27612

F = FULL RADIUS



SYMBOL OF QUALITY  
AN ISO 9002 COMPANY

**JINDAL ALUMINIUM LTD.**  
BANGALORE-560073 (INDIA)

	NAME	DATE
DRAWN	MALINGAPPA	18.09.2003
CHECKED		
APPROVED		

1. ALL DIMENSIONS ARE IN mm.
2. ROUND OFF ALL SHARP CORNERS WITH 0.40 mm.
3. TOLERANCES WILL BE AS PER IS: 6477-1983 UNLESS OTHERWISE SPECIFIED

SCALE	1:1
AREA mm <sup>2</sup>	1105.3
PERIMETER mm.	329.9
WEIGHT kg/m	2.984

PARTY'S NAME GEMINI GLOBAL ENGG. PVT. LTD., MUMBAI

PARTY'S DRAWING No. AS PER SAMPLE

ALLOY & TEMPER HE9 WP

DESCRIPTION MISCELLANEOUS TUBE

DRAWING No.	SECTION No.
P-4403-1	-
S1074	S1074
27612	27612