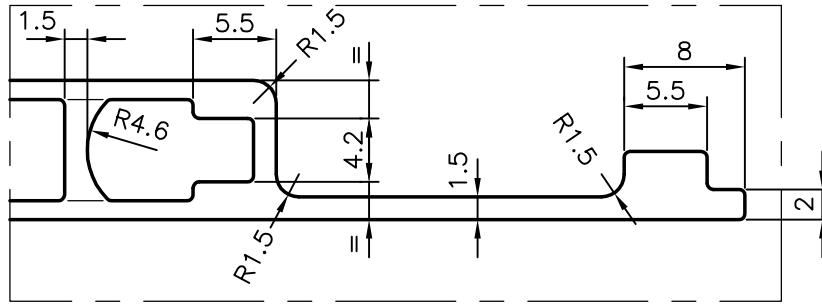
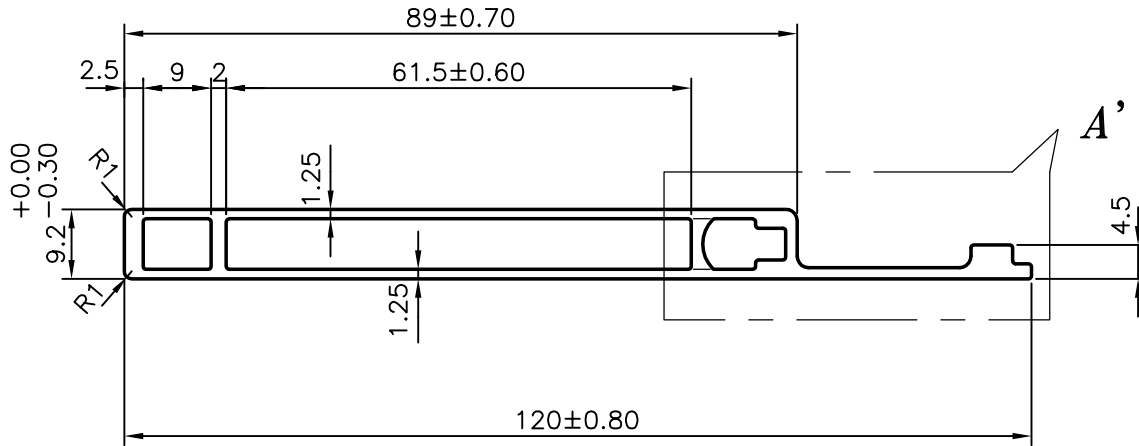


P-6344

27622



DETAIL-A
SCALE:-2:1



SYMBOL OF QUALITY
AN ISO 9001 COMPANY

JINDAL ALUMINIUM LTD.
BANGALORE-560073 (INDIA)

	NAME	DATE
DRAWN	MALINGAPPA	21-04-2006
CHECKED		
APPROVED		

1. ALL DIMENSIONS ARE IN mm.
2. ROUND OFF ALL SHARP CORNERS WITH 0.40 mm.
3. TOLERANCES WILL BE AS PER IS:6477-1983 UNLESS OTHERWISE SPECIFIED

SCALE	1:1
AREA mm ²	350.298
PERIMETER mm.	260.752
WEIGHT kg/m	0.946

PARTY'S NAME GENERAL CATEGORY, MUMBAI MARKET

DRAWING No. SECTION No.

PARTY'S DRAWING No. 362

P-6344 -
27622 27622

ALLOY & TEMPER 6063 T6

DESCRIPTION MISC. SECTION