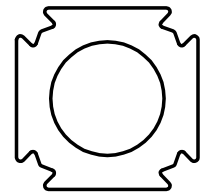
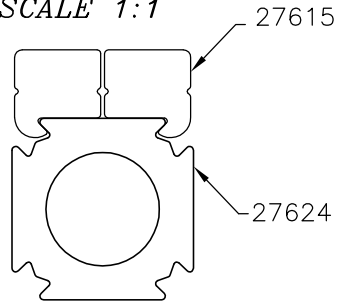


P-4489-1

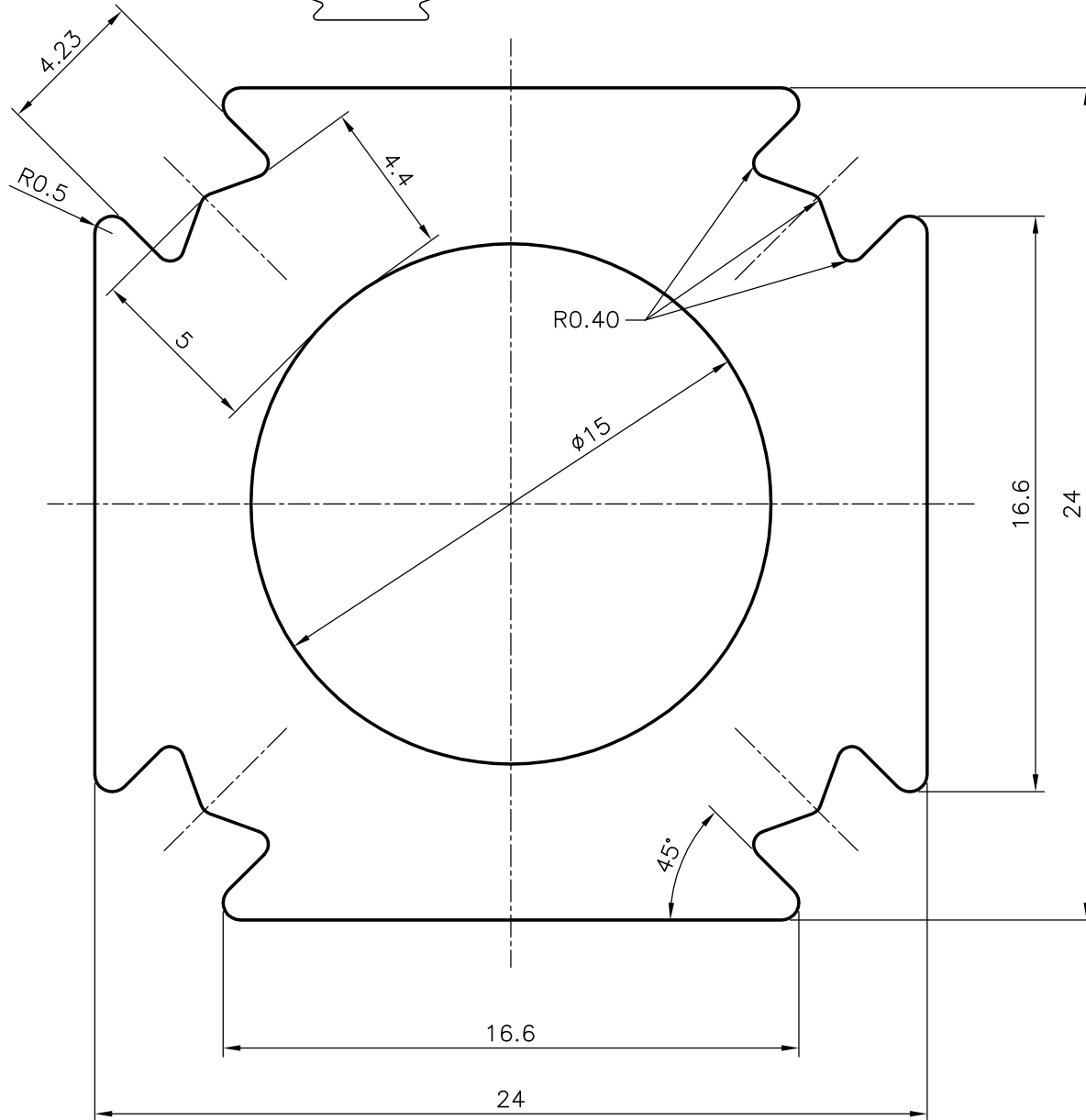
S1133

27624

MATCHING SECTION
SCALE 1:1



SCALE 1:1



SYMBOL OF QUALITY
AN ISO 9002 COMPANY

JINDAL ALUMINIUM LTD.
BANGALORE-560073 (INDIA)

	NAME	DATE
DRAWN	RAGHAVENDRA	13-01-2004
CHECKED		
APPROVED		

1. ALL DIMENSIONS ARE IN mm.
2. ROUND OFF ALL SHARP CORNERS WITH 0.40 mm.
3. TOLERANCES WILL BE AS PER IS:6477-1983 UNLESS OTHERWISE SPECIFIED

SCALE	5:1
AREA mm ²	332.064
PERIMETER mm.	103.558
WEIGHT kg/m	0.897

PARTY'S NAME	S P ENGINEERS, MUMBAI
PARTY'S DRAWING No.	SP-08/R1
ALLOY & TEMPER	HE9 WP
DESCRIPTION	CYLINDER CHANNEL- ϕ 15 ID

DRAWING No.	SECTION No.
P-4489-1	-
S1133	S1133
27624	27624