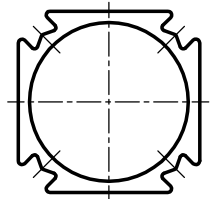
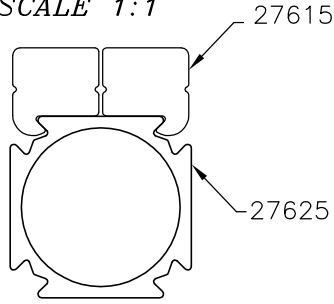


P-4490-1

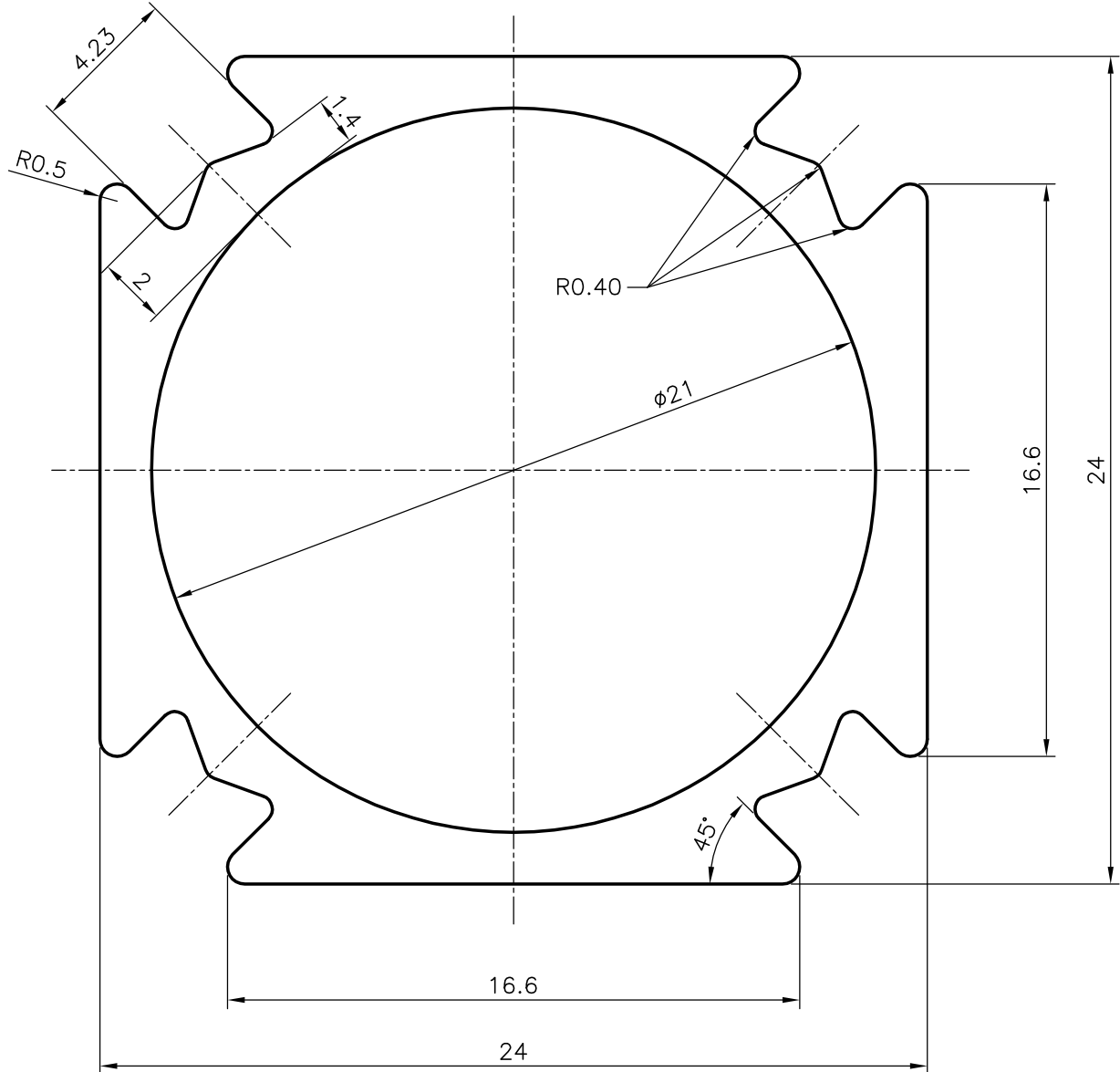
S1134

27625

MATCHING SECTION
SCALE 1:1



SCALE 1:1



SYMBOL OF QUALITY
AN ISO 9002 COMPANY

JINDAL ALUMINIUM LTD.
BANGALORE-560073 (INDIA)

	NAME	DATE
DRAWN	RAGHAVENDRA	13-01-2004
CHECKED		
APPROVED		

1. ALL DIMENSIONS ARE IN mm.
2. ROUND OFF ALL SHARP CORNERS WITH 0.40 mm.
3. TOLERANCES WILL BE AS PER IS:6477-1983 UNLESS OTHERWISE SPECIFIED

SCALE	5:1
AREA mm ²	162.418
PERIMETER mm.	103.558
WEIGHT kg/m	0.439

PARTY'S NAME S P ENGINEERS, MUMBAI

PARTY'S DRAWING No. SP-07/R1

ALLOY & TEMPER HE9 WP

DESCRIPTION CYLINDER CHANNEL- $\phi 21$ ID

DRAWING No.	SECTION No.
P-4490-1	-
S1134	S1134
27625	27625