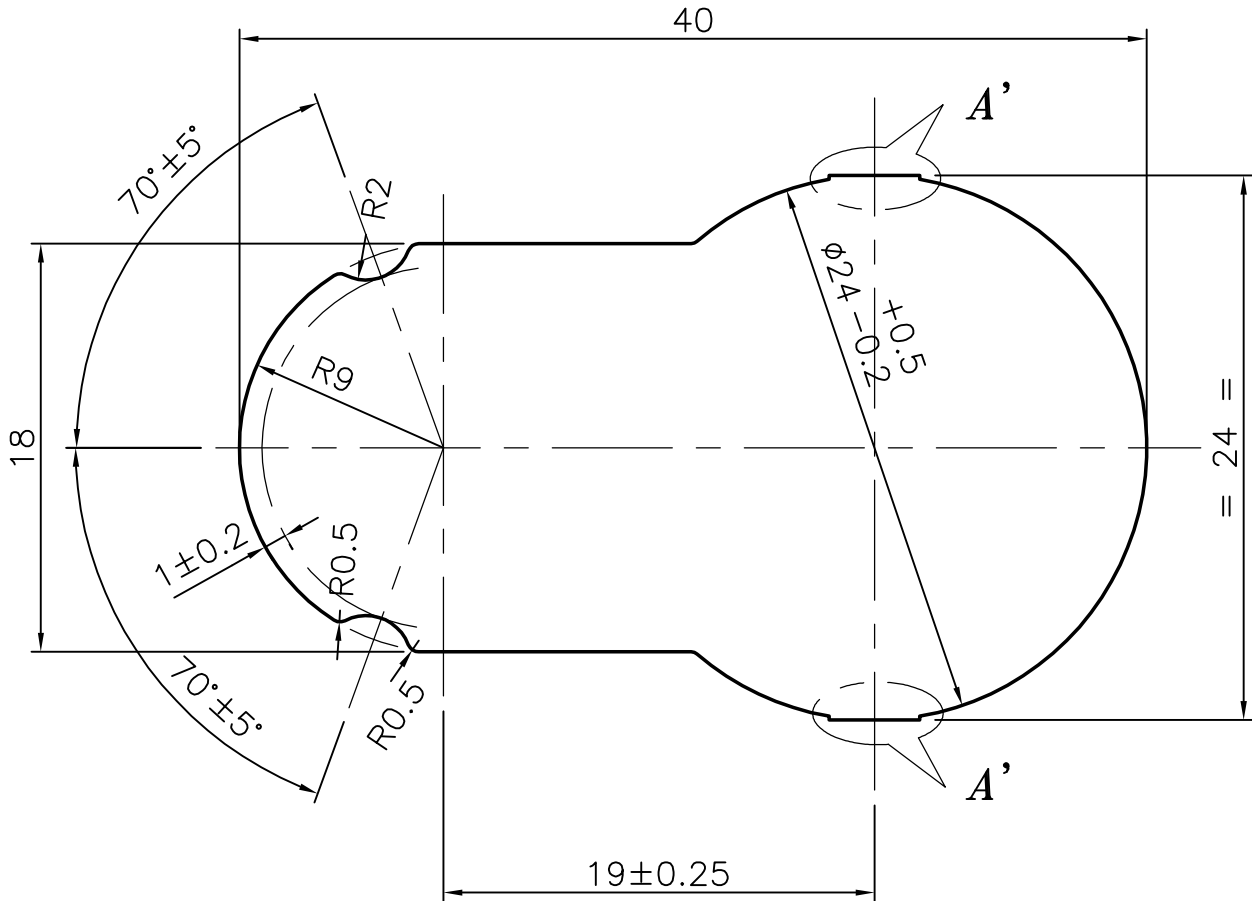
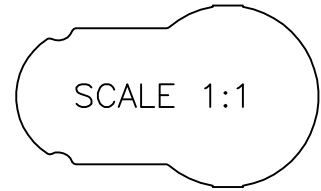
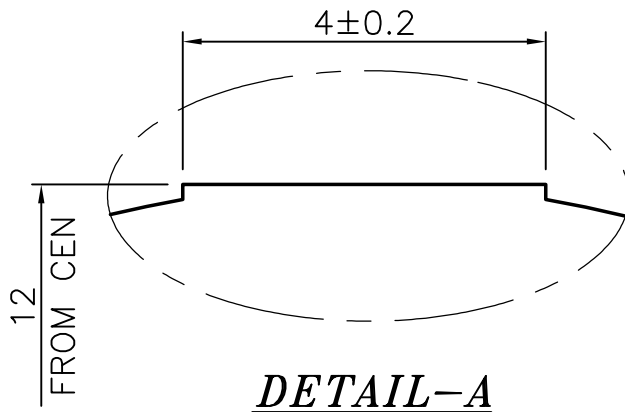


P-5955

S1637

27641



SYMBOL OF QUALITY
AN ISO 9001 COMPANY

JINDAL ALUMINIUM LTD.
BANGALORE-560073 (INDIA)

	NAME	DATE
DRAWN	RAGHAVENDRA	14-11-2005

CHECKED		
APPROVED		

1. ALL DIMENSIONS ARE IN mm.
2. ROUND OFF ALL SHARP CORNERS WITH 0.40 mm.
3. TOLERANCES WILL BE AS PER IS:3965-1981 UNLESS OTHERWISE SPECIFIED

SCALE	3:1
AREA mm ²	724.003
PERIMETER mm.	106.986
WEIGHT kg/m	1.955

PARTY'S NAME GLOBAL AUTOTECH PVT. LTD., NOIDA (U.P)

PARTY'S DRAWING No. 446171-0890

ALLOY & TEMPER 65032 WP

DESCRIPTION TIRE CONNECTOR

DRAWING No.	SECTION No.
P-5955	-
S1637	S1637
27641	27641