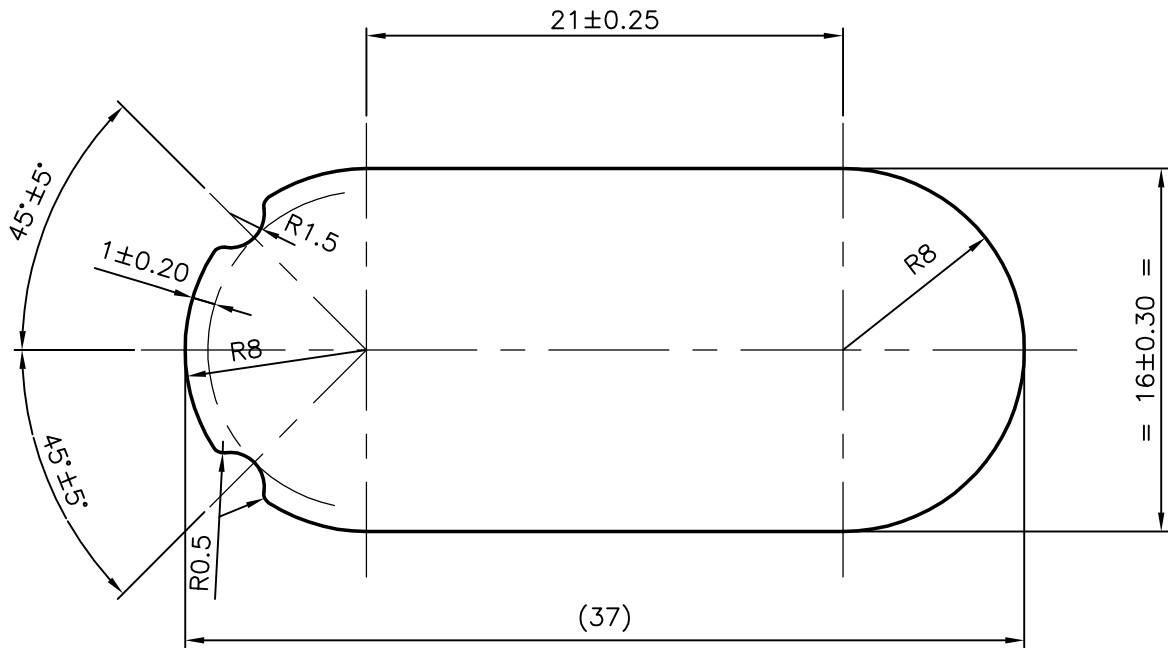


P-5964

S1647

27650

SCALE 1:1



SYMBOL OF QUALITY
AN ISO 9001 COMPANY

JINDAL ALUMINIUM LTD.
BANGALORE-560073 (INDIA)

	NAME	DATE
DRAWN	RAGHAVENDRA	14-11-2005
CHECKED		
APPROVED		

1. ALL DIMENSIONS ARE IN mm.
2. ROUND OFF ALL SHARP CORNERS WITH 0.40 mm.
3. TOLERANCES WILL BE AS PER IS:3965-1981 UNLESS OTHERWISE SPECIFIED

SCALE	3:1
AREA mm ²	533.077
PERIMETER mm.	93.28
WEIGHT kg/m	1.439

PARTY'S NAME	GLOBAL AUTOTECH PVT. LTD., NOIDA (U.P)	DRAWING No.	P-5964	SECTION No.	-
PARTY'S DRAWING No.	446861-0540		S1647		S1647
ALLOY & TEMPER	65032 WP		27650		27650
DESCRIPTION	TUBE CONNECTOR				