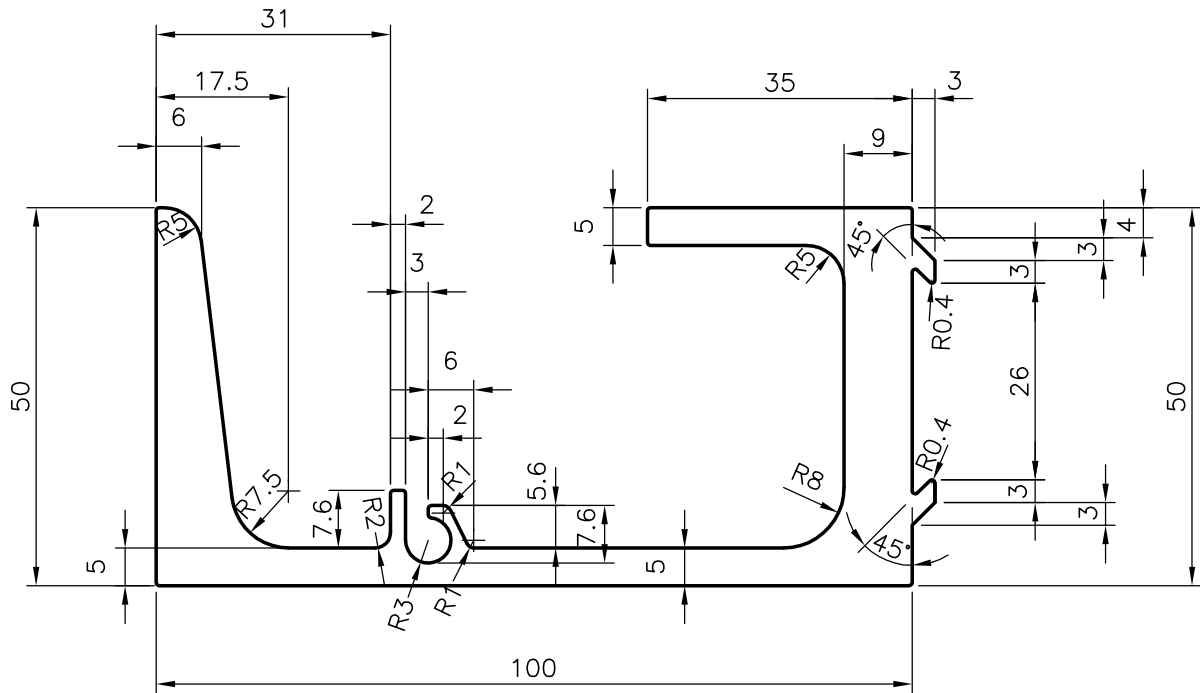


P-5144-1

S1372

27669



SYMBOL OF QUALITY
AN ISO 9001 COMPANY

JINDAL ALUMINIUM LTD.
BANGALORE-560073 (INDIA)

	NAME	DATE
DRAWN	RAGHAVENDRA	29-11-2004
CHECKED		
APPROVED		

1. ALL DIMENSIONS ARE IN mm.
2. ROUND OFF ALL SHARP CORNERS WITH 0.40 mm.
3. TOLERANCES WILL BE AS PER IS:3965-1981 UNLESS OTHERWISE SPECIFIED

SCALE	1:1
AREA mm ²	1466.81
PERIMETER mm.	467.92
WEIGHT kg/m	3.960

PARTY'S NAME	PL HAULWEL TRAILERS, CHENNAI
PARTY'S DRAWING No.	033-04-025-03 A
ALLOY & TEMPER	6005 WP
DESCRIPTION	INDUSTRIAL MISC. SECTION

DRAWING No.	SECTION No.
P-5144-1	-
S1372	S1372
27669	27669