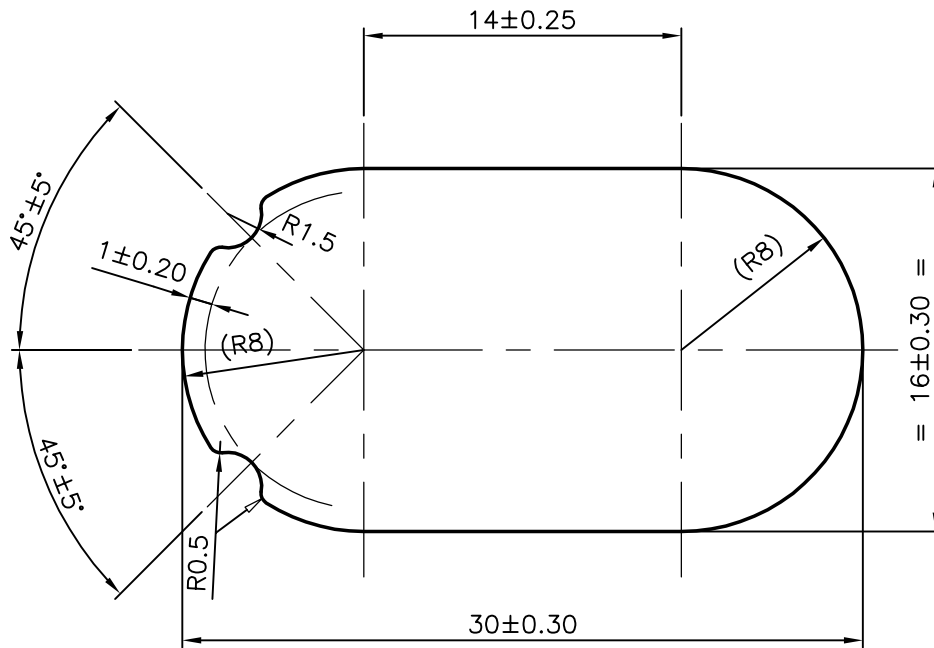


P-5962

S1642

27684

SCALE 1:1



SYMBOL OF QUALITY  
AN ISO 9001 COMPANY

**JINDAL ALUMINIUM LTD.**  
BANGALORE-560073 (INDIA)

	NAME	DATE
DRAWN	RAGHAVENDRA	14-11-2005
CHECKED		
APPROVED		

1. ALL DIMENSIONS ARE IN mm.
2. ROUND OFF ALL SHARP CORNERS WITH 0.40 mm.
3. TOLERANCES WILL BE AS PER IS:3965-1981 UNLESS OTHERWISE SPECIFIED

SCALE	3:1
AREA mm <sup>2</sup>	421.077
PERIMETER mm.	79.28
WEIGHT kg/m	1.137

PARTY'S NAME	GLOBAL AUTOTECH PVT. LTD., NOIDA (U.P)	DRAWING No.	P-5962	SECTION No.	-
PARTY'S DRAWING No.	446171-3130	S1642	S1642		
ALLOY & TEMPER	65032 WP	27684	27684		
DESCRIPTION	TUBE CONNECTOR				