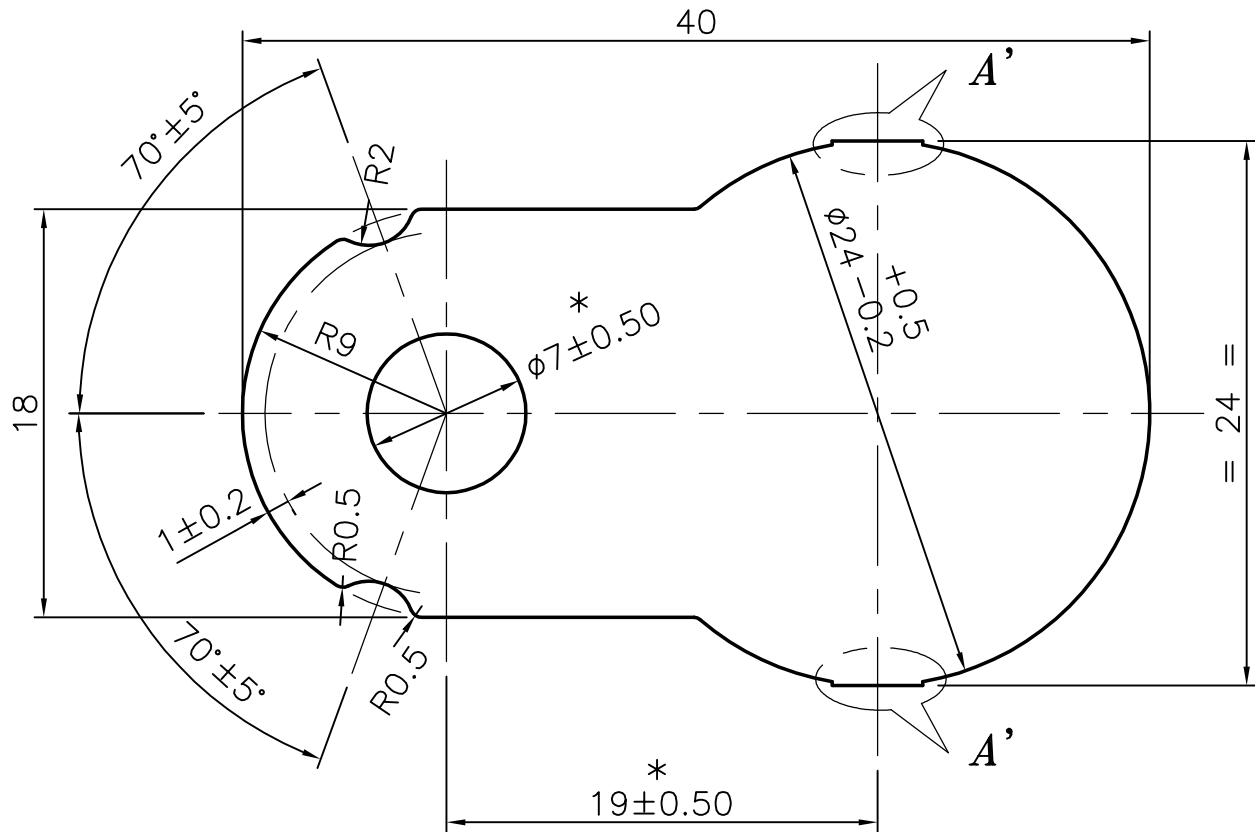
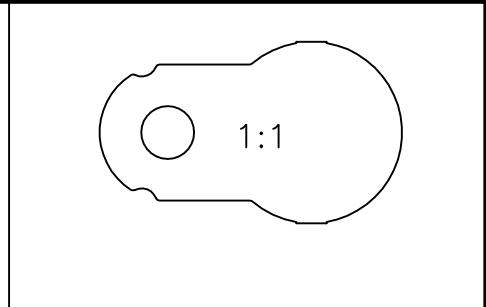
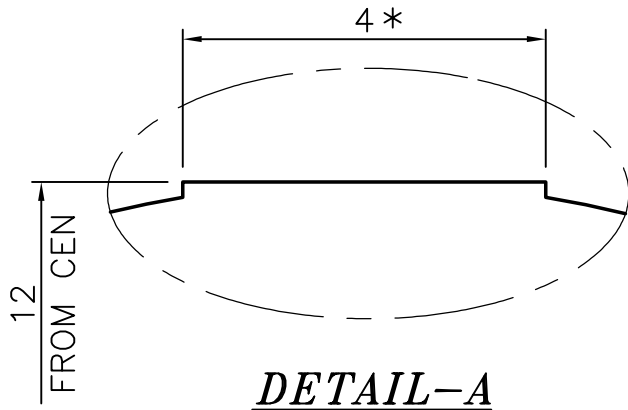



P-5375-1
S1476
27685



ISSUE-2 :- * MARKED TOLERANCE CHANGED

FROM $\phi 7 \begin{smallmatrix} +0.50 \\ -0.00 \end{smallmatrix}$ TO $\phi 7 \pm 0.50$
FROM 19 ± 0.25 TO 19 ± 0.50 &
TOLERANCE REMOVED ON DIM 4 mm

ALLOY & TEMPER FROM 65032 WP TO HE9 WP

 SYMBOL OF QUALITY AN ISO 9001 COMPANY	JINDAL ALUMINIUM LTD. BANGALORE-560073 (INDIA)	DRAWN	NAME	DATE
		CHECKED	MALINGAPPA	07.01.2006
		APPROVED		
1. ALL DIMENSIONS ARE IN mm. 2. ROUND OFF ALL SHARP CORNERS WITH 0.40 mm. 3. TOLERANCES WILL BE AS PER IS: 6477-1983 UNLESS OTHERWISE SPECIFIED		SCALE		3:1
		AREA mm ²		685.518
		PERIMETER mm.		106.98
PARTY'S NAME		WEIGHT kg/m		1.851
		DRAWING No.	SECTION No.	
PARTY'S DRAWING No. 446171-0890		P-5375-1		-
		S1476	S1476 ISSUE-2	
ALLOY & TEMPER HE9 WP *		27685		27685
		DESCRIPTION		TUBE CONNECTOR