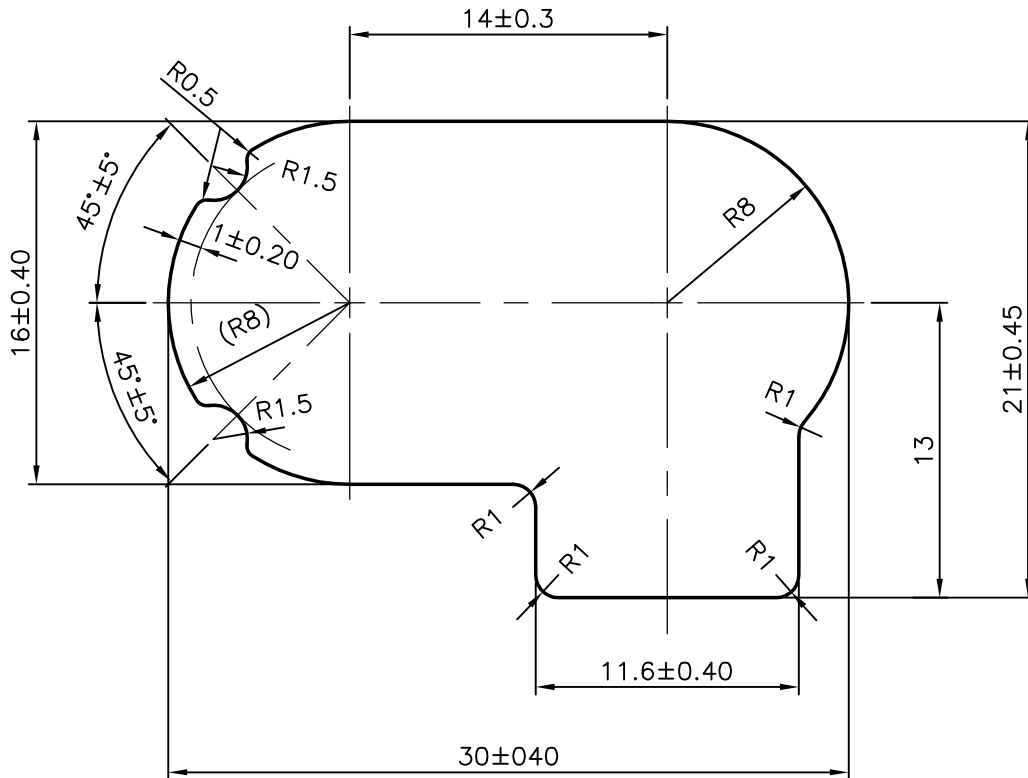
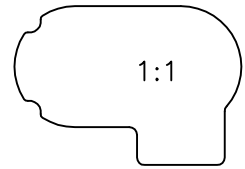


P-5760-1

27703



SYMBOL OF QUALITY
AN ISO 9001 COMPANY

JINDAL ALUMINIUM LTD.
BANGALORE-560073 (INDIA)

	NAME	DATE
DRAWN	PRASANN.H	22-08-2007
CHECKED		
APPROVED		

1. ALL DIMENSIONS ARE IN mm.
2. ROUND OFF ALL SHARP CORNERS WITH 0.50 mm.
3. TOLERANCES WILL BE AS PER IS:3965-1981 UNLESS OTHERWISE SPECIFIED

SCALE	3:1
AREA mm ²	483.347
PERIMETER mm.	89.759
WEIGHT kg/m	1.305

PARTY'S NAME	SUBROS LIMITED, NOIDA (U.P)	DRAWING No.	P-5760-1	SECTION No.	-
PARTY'S DRAWING No.	446171-0130 (600007-0400-0-L)		27703		27703
ALLOY & TEMPER	65032 WP				
DESCRIPTION	TUBE CONNECTOR 1W				