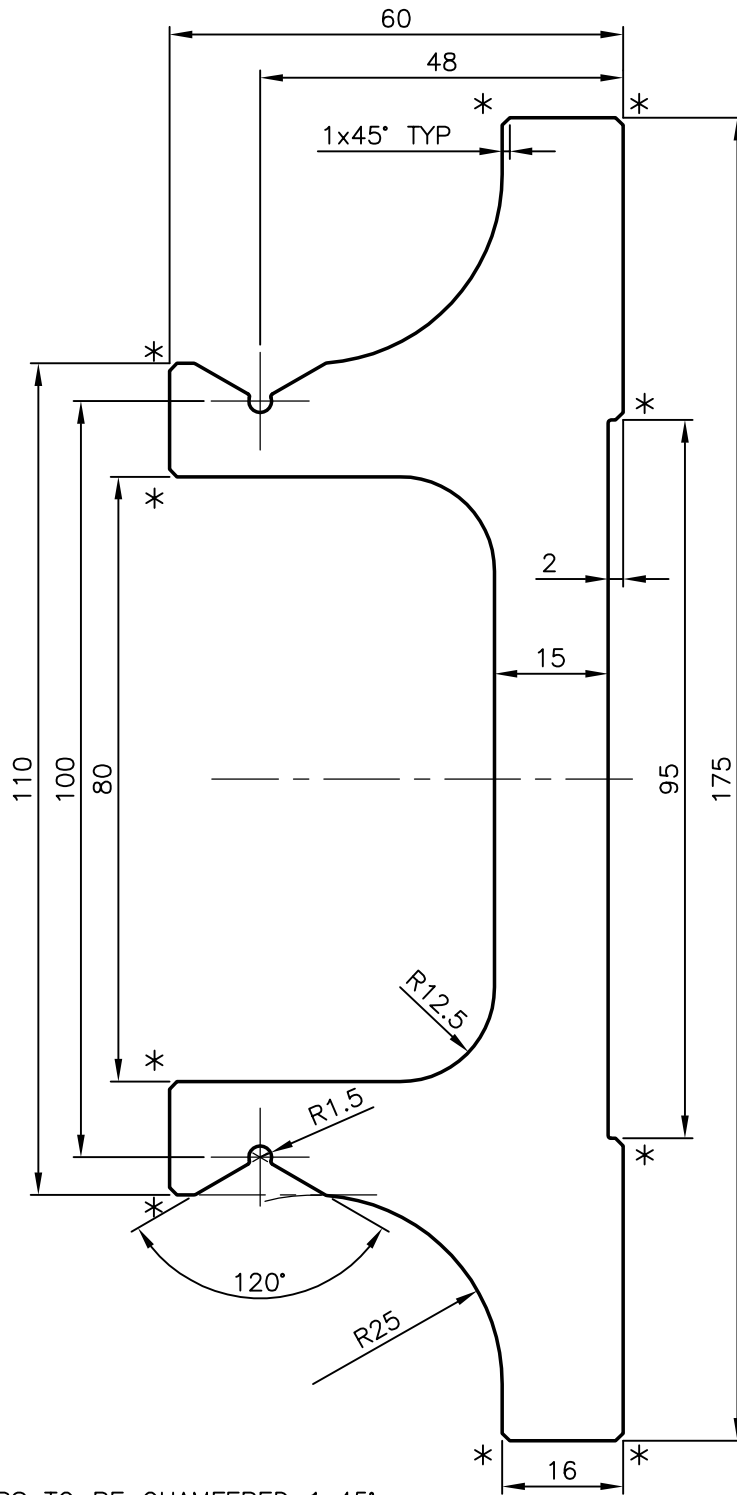


P-5940

S1635

27741



* ALL CORNERS TO BE CHAMFERED 1x45°



SYMBOL OF QUALITY
AN ISO 9001 COMPANY

JINDAL ALUMINIUM LTD.
BANGALORE-560073 (INDIA)

	NAME	DATE
DRAWN	MAHALINGAPPA	31-10-2005
CHECKED		
APPROVED		
SCALE		1:1
AREA mm ²		4244.19
PERIMETER mm.		533.02
WEIGHT kg/m		11.459
DRAWING No.	SECTION No.	
P-5940	-	
S1635	S1635	
27741	27741	

1. ALL DIMENSIONS ARE IN mm.
2. ROUND OFF ALL SHARP CORNERS WITH 0.40 mm.
3. TOLERANCES WILL BE AS PER IS:3965-1981 UNLESS OTHERWISE SPECIFIED

PARTY'S NAME	RUCHIT TECHNOLOGY, GUJARAT
PARTY'S DRAWING No.	AS PER DRAWING
ALLOY & TEMPER	6005 T6
DESCRIPTION	RAIL SECTION