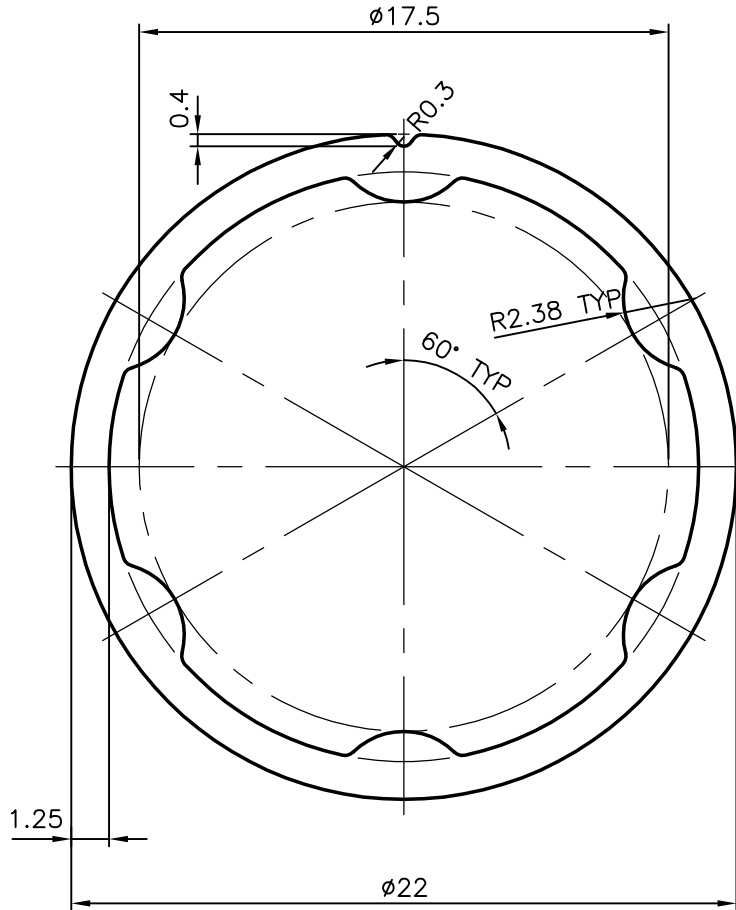


P-5830

S1585

27744



SYMBOL OF QUALITY  
AN ISO 9001 COMPANY

**JINDAL ALUMINIUM LTD.**  
BANGALORE-560073 (INDIA)

	NAME	DATE
DRAWN	MALINGAPPA	22-08-2005
CHECKED		
APPROVED		

1. ALL DIMENSIONS ARE IN mm.
2. ROUND OFF ALL SHARP CORNERS WITH 0.40 mm.
3. TOLERANCES WILL BE AS PER IS:6477-1983 UNLESS OTHERWISE SPECIFIED

SCALE	4:1
AREA mm <sup>2</sup>	96.291
PERIMETER mm.	69.406
WEIGHT kg/m	0.26

PARTY'S NAME	SPECTRA SALES & SERVICES, HYDERABAD	DRAWING No.	P-5830	SECTION No.	-
PARTY'S DRAWING No.	AS PER DRAWING		S1585		S1585
ALLOY & TEMPER	HE9 WP		27744		27744
DESCRIPTION	MISCELLANEOUS TUBE				