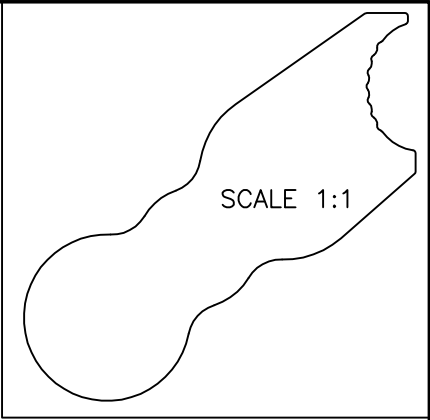
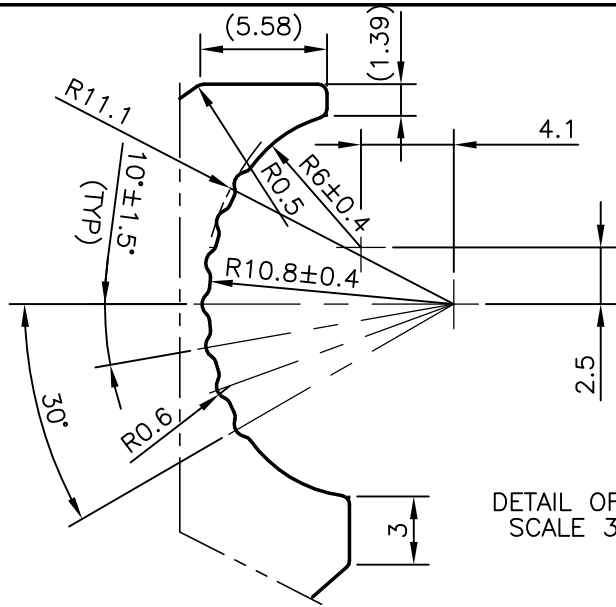
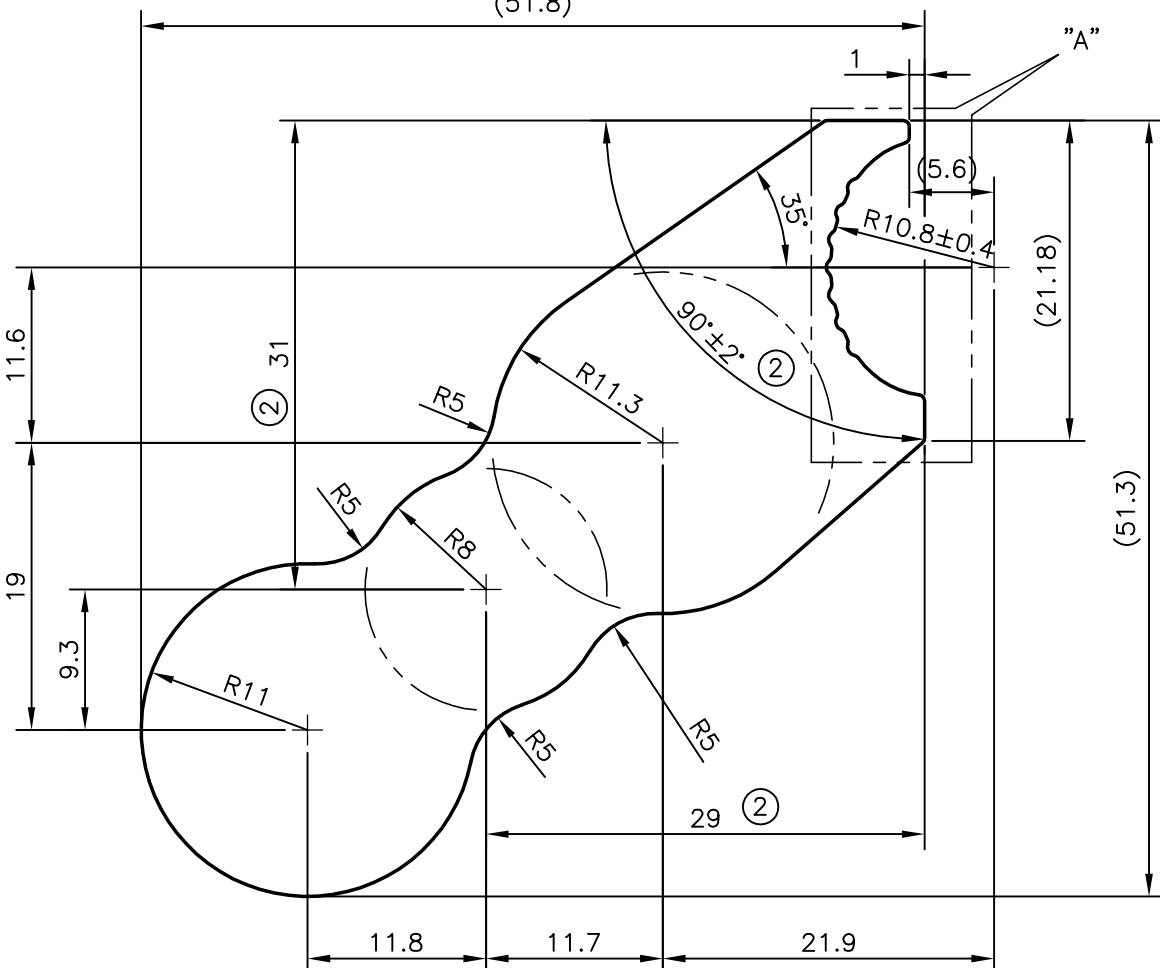


P-8296-2  
27770




DETAIL OF "A"  
SCALE 3:1



ISSUE - 2

DIMENSION ADDED 31.00 mm ,29.00 & ANGLE ADDED 90°±2° mm AS PER CUSTOMER REQUIREMENT

 SYMBOL OF QUALITY AN ISO 9001 COMPANY	<b>JINDAL ALUMINIUM LTD.</b> BANGALORE-560073 (INDIA)	NAME PRASANNA.H	DATE 16-07-2008
		CHECKED	
		APPROVED	
1. ALL DIMENSIONS ARE IN mm. 2. ROUND OFF ALL SHARP CORNERS WITH 0.40 mm. 3. TOLERANCES WILL BE AS PER IS:3965-1981 UNLESS OTHERWISE SPECIFIED		SCALE	2:1
		AREA mm <sup>2</sup>	1096.198
		PERIMETER mm.	167.469
PARTY'S NAME	WONJIN AUTOPARTS INDIA PVT. LTD., MARAMALAI NAGAR	WEIGHT kg/m	2.960
ISSUE No.	70.15796	DRAWING No.	P-8296-2
ALLOY & TEMPER	6060 T6	SECTION No.	-
DESCRIPTION	MISC. SECTION		27770-27770-ISSUE-2