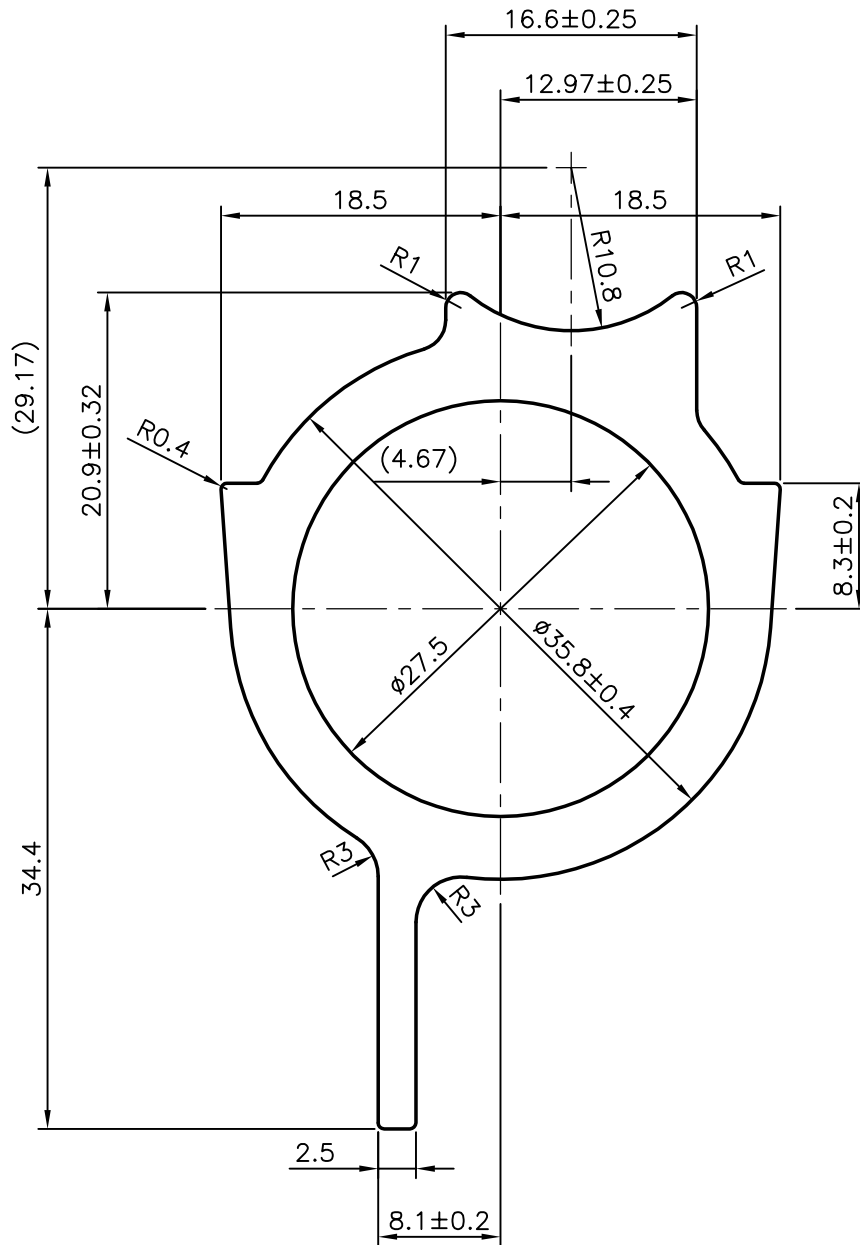
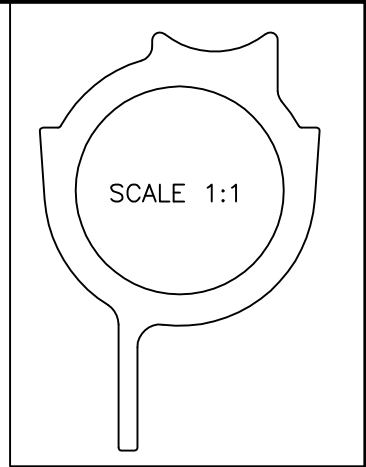


P-8485

27790



SYMBOL OF QUALITY
AN ISO 9001 COMPANY

JINDAL ALUMINIUM LTD.
BANGALORE-560073 (INDIA)

	NAME	DATE
DRAWN	PRASANNA.H	26-07-2008
CHECKED		
APPROVED		

1. ALL DIMENSIONS ARE IN mm.
2. ROUND OFF ALL SHARP CORNERS WITH 0.4 mm.
3. TOLERANCES WILL BE AS PER IS:6477-1983 UNLESS OTHERWISE SPECIFIED

SCALE	2:1
AREA mm ²	525.889
PERIMETER mm.	159.649
WEIGHT kg/m	1.420

PARTY'S NAME	WONJIN AUTOPARTS INDIA PVT. LTD., MARAMALAI NAGAR
PARTY'S DRAWING No.	70.21053
ALLOY & TEMPER	3103 'F'
DESCRIPTION	MISC. SECTION

DRAWING No.	SECTION No.
P-8485	-
27790	27790