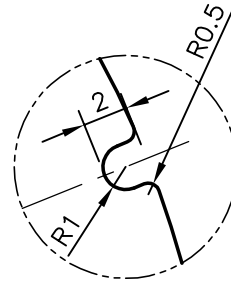
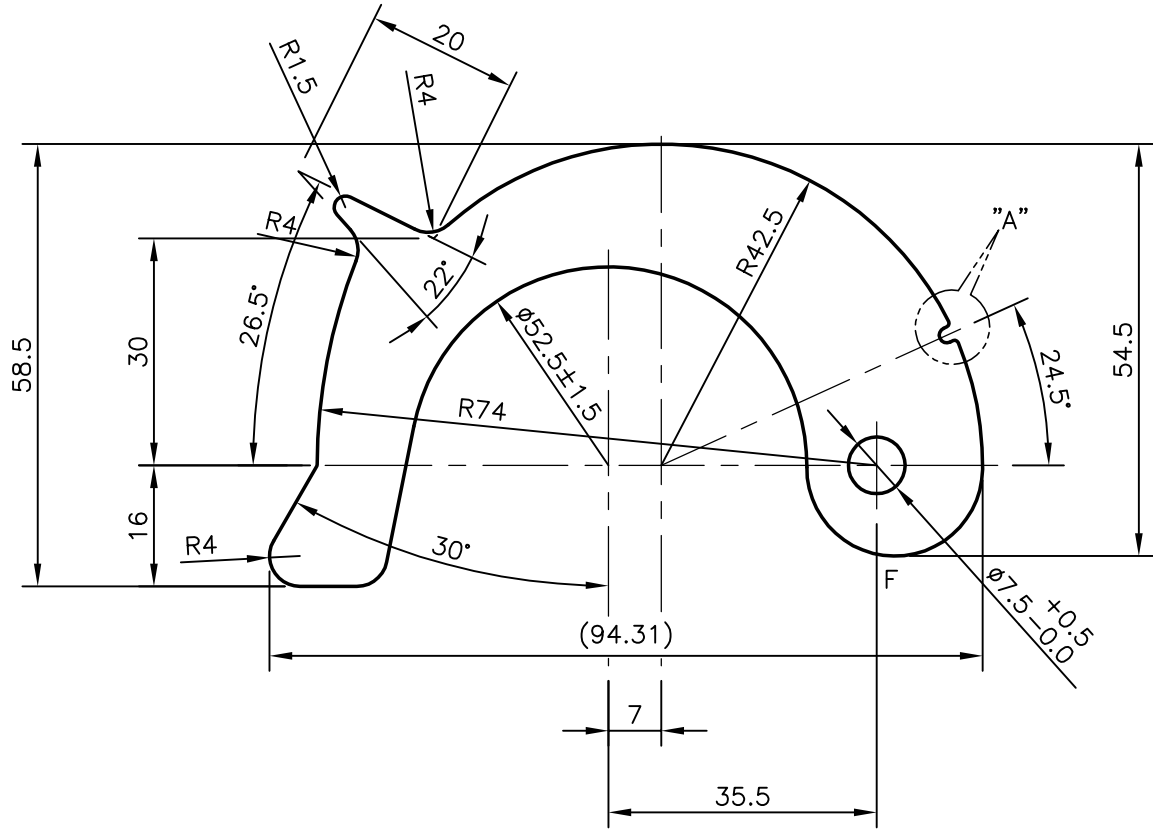


P-8524-1

27793



DETAIL OF "A"
SCALE 3:1



F = FULL RADIUS (1 PLACE)



SYMBOL OF QUALITY
AN ISO 9001 COMPANY

JINDAL ALUMINIUM LTD.
BANGALORE-560073 (INDIA)

	NAME	DATE
DRAWN	PRASANNA.H	11-09-2008
CHECKED		
APPROVED		

1. ALL DIMENSIONS ARE IN mm.
2. ROUND OFF ALL SHARP CORNERS WITH 0.40 mm.
3. TOLERANCES WILL BE AS PER DIN EN 12020-2 UNLESS OTHERWISE SPECIFIED

SCALE	1:1
AREA mm ²	2332.256
PERIMETER mm.	319.14
WEIGHT kg/m	6.297

PARTY'S NAME ZARGES TUBESCA INDIA PVT. LTD.,
ANDHRA PRADESH

PARTY'S DRAWING No. 21012

ALLOY & TEMPER 6063 T66

DESCRIPTION MISC. SECTION

DRAWING No.	SECTION No.
P-8524-1	-
27793	27793