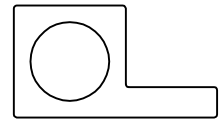
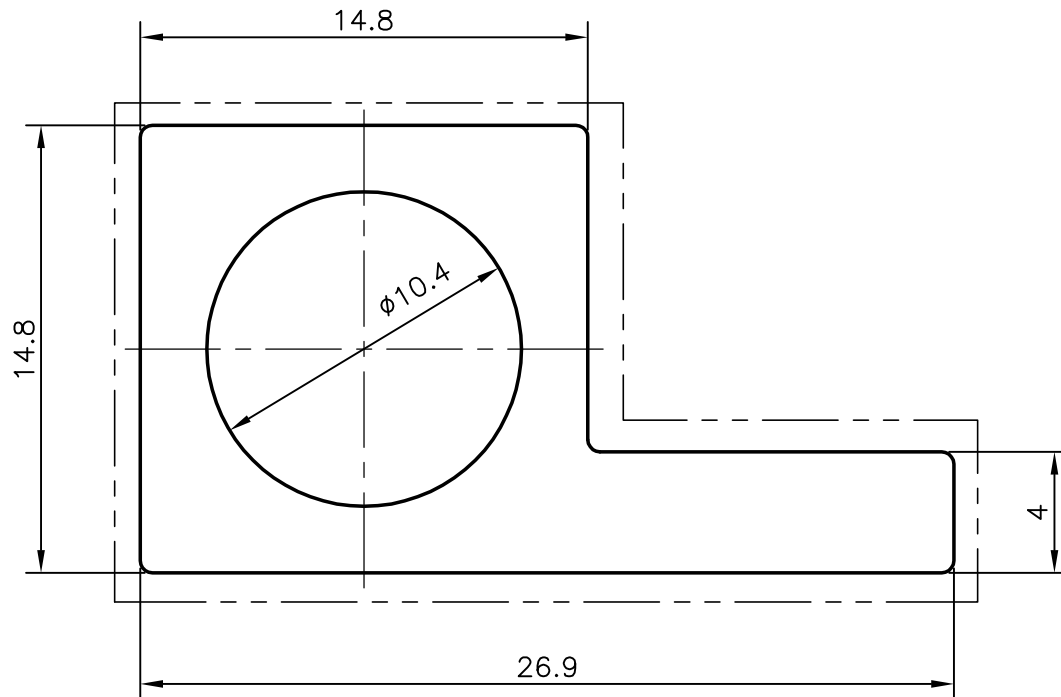


P-8496-1

27799



SCALE 1:1



----- EXPOSED SURFACE & REQUIRED BETTER FINISH



SYMBOL OF QUALITY
AN ISO 9001 COMPANY

JINDAL ALUMINIUM LTD.
BANGALORE-560073 (INDIA)

1. ALL DIMENSIONS ARE IN mm.
2. ROUND OFF ALL SHARP CORNERS WITH 0.40 mm.
3. TOLERANCES WILL BE AS PER IS:6477-1983 UNLESS OTHERWISE SPECIFIED

PARTY'S NAME	JINTAN INTERNATIONAL, NEW DELHI
PARTY'S DRAWING No.	AS PER SKETCH
ALLOY & TEMPER	HE9 WP
DESCRIPTION	MISC. SECTION

	NAME	DATE
DRAWN	ABHARANI	18-08-2008
CHECKED		
APPROVED		
SCALE		4:1
AREA mm ²		182.354
PERIMETER mm.		82.37
WEIGHT kg/m		0.492
DRAWING No.	SECTION No.	
P-8496-1		
27799	27799	