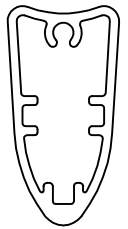
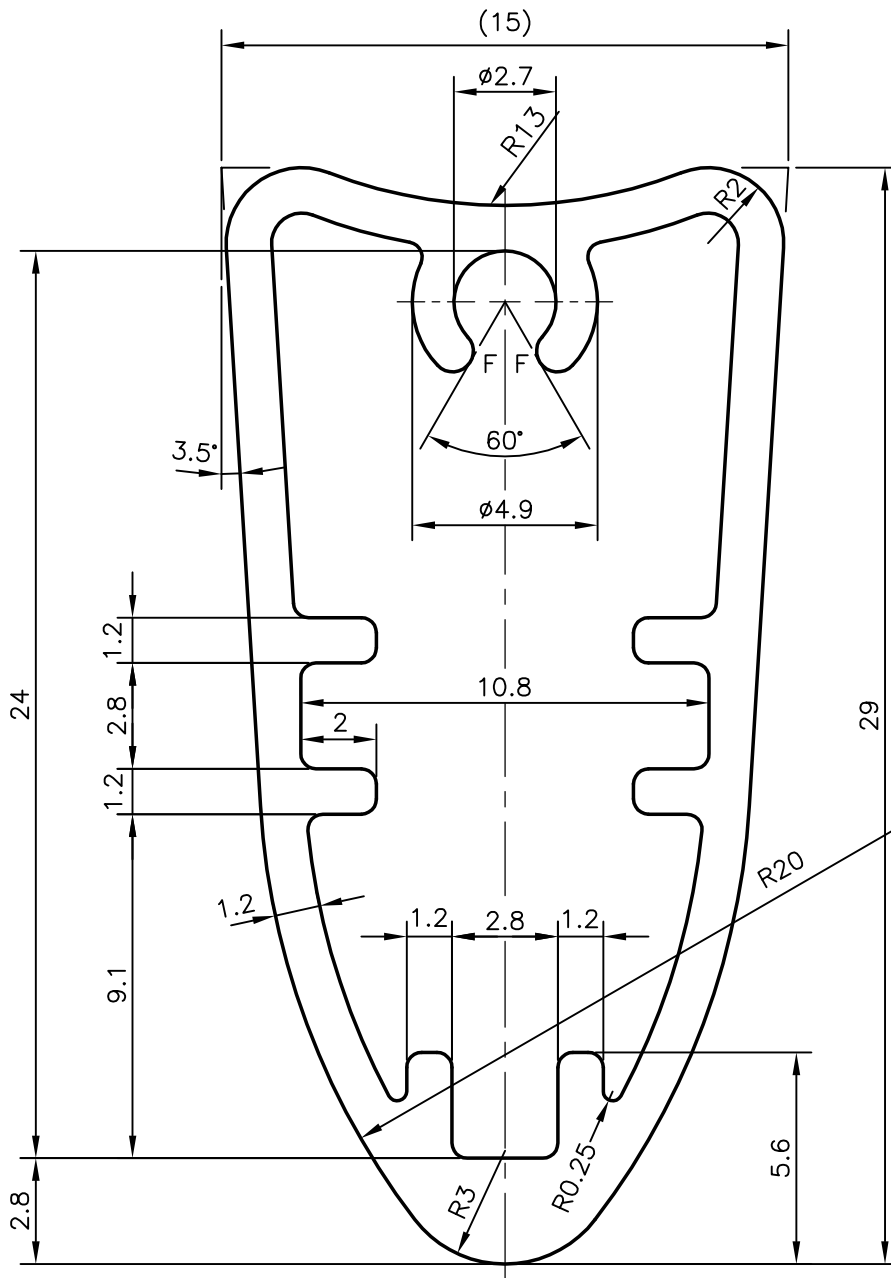


P-8632-1

27809



SCALE 1:1



NOTE:-

UNSPECIFIED WALL THICKNESS = 1.20 mm



SYMBOL OF QUALITY
AN ISO 9001 COMPANY

JINDAL ALUMINIUM LTD.
BANGALORE-560073 (INDIA)

	NAME	DATE
DRAWN	ABHARANI	29-09-2008
CHECKED		
APPROVED		

1. ALL DIMENSIONS ARE IN mm.
2. ROUND OFF ALL SHARP CORNERS WITH 0.40 mm.
3. TOLERANCES WILL BE AS PER IS:6477-1983 UNLESS OTHERWISE SPECIFIED

SCALE	5:1
AREA mm ²	115.704
PERIMETER mm.	76.303
WEIGHT kg/m	0.312

PARTY'S NAME	MADHU INDIA LIMITED, LUCKNOW
PARTY'S DRAWING No.	DLX380 BR300010
ALLOY & TEMPER	HE9 WP
DESCRIPTION	BOTTOM BAR-MISC. SECTION

DRAWING No.	SECTION No.
P-8632-1	-
27809	27809