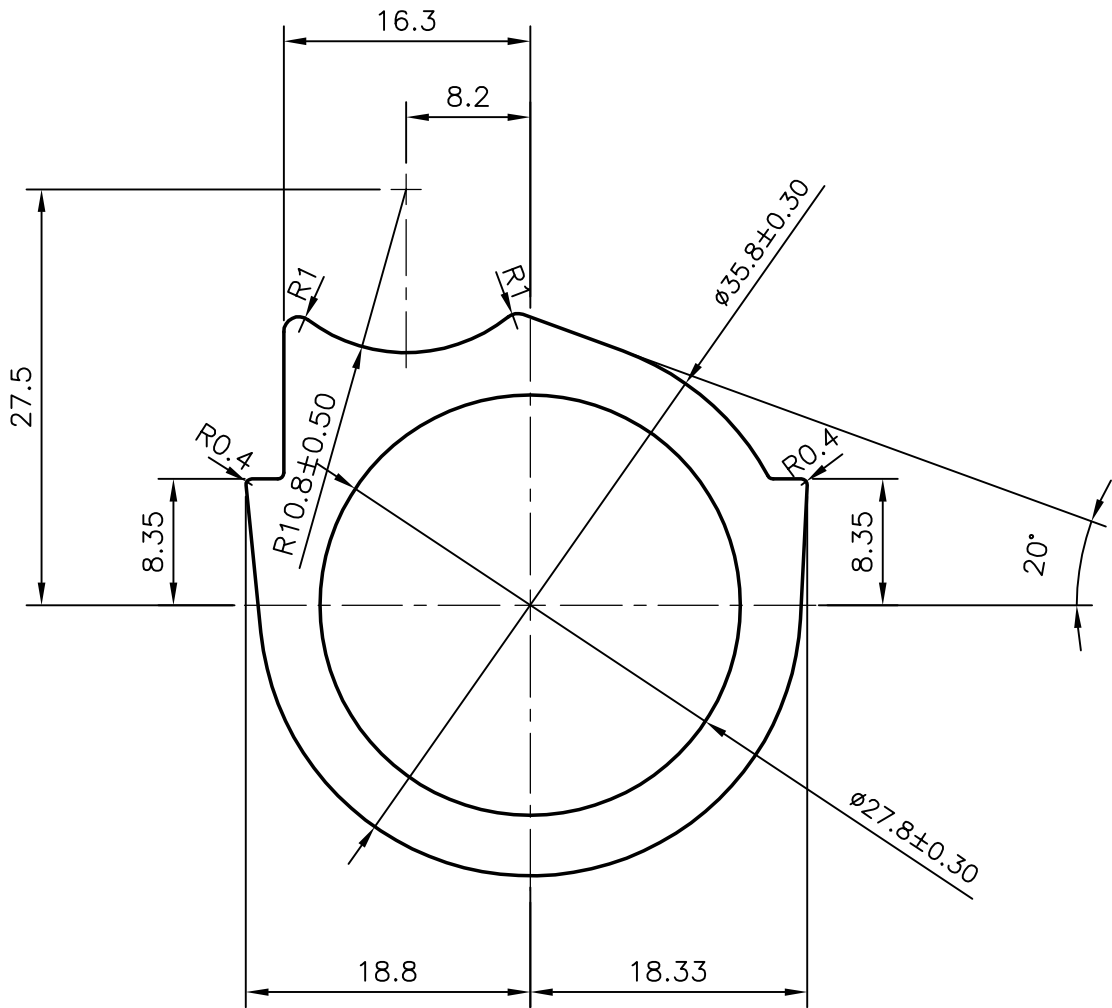
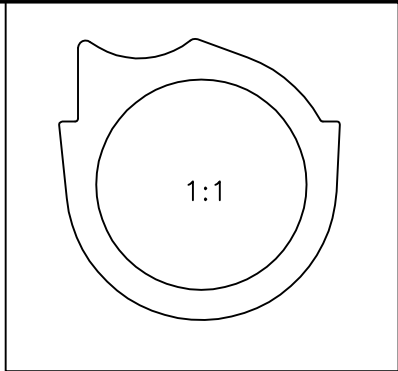


P-8992
S2416
27849



**JINDAL ALUMINIUM LTD.**  
**BANGALORE-560073 (INDIA)**

	NAME	DATE
DRAWN	J.P.KAUSHIK	28-01-2009
CHECKED		
APPROVED		

1. ALL DIMENSIONS ARE IN mm.
2. ROUND OFF ALL SHARP CORNERS WITH 0.40 mm.
3. TOLERANCES WILL BE AS PER IS:6477-1983 UNLESS OTHERWISE SPECIFIED

SCALE	2:1
AREA mm <sup>2</sup>	464.613
PERIMETER mm.	124.867
WEIGHT kg/m	1.254

PARTY'S NAME	WONJIN AUTOPARTS INDIA PVT. LTD., MARAMALAI NAGAR
PARTY'S DRAWING No.	70.15753/17140
ALLOY & TEMPER	3103 'F'
DESCRIPTION	KOMO PROFILE

DRAWING No.	SECTION No.
P-8992	-
S2416	S2416
27849	27849