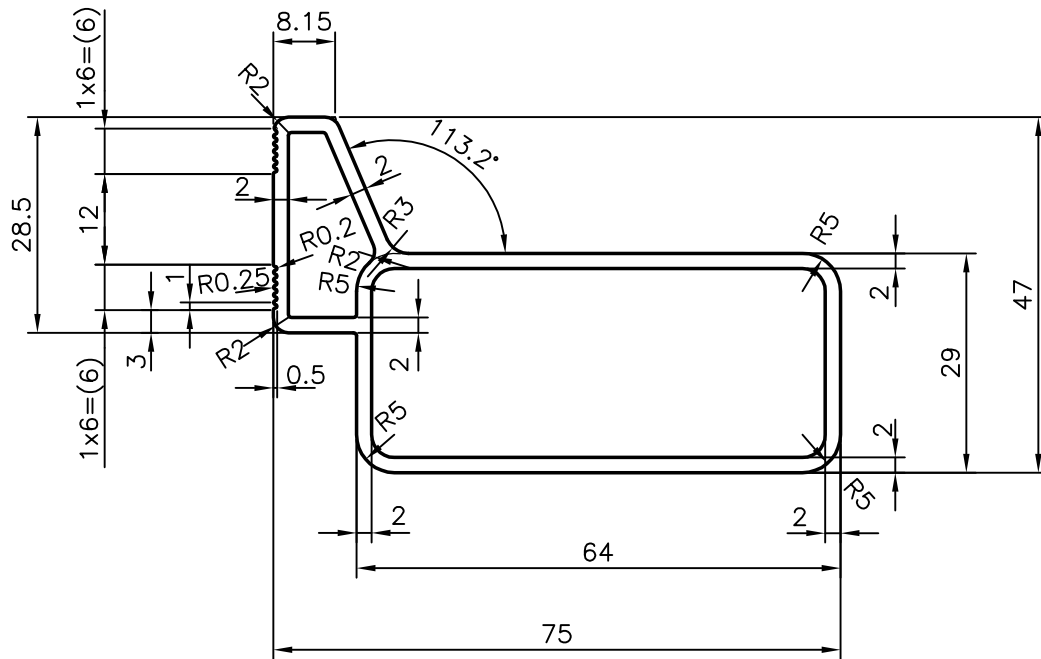
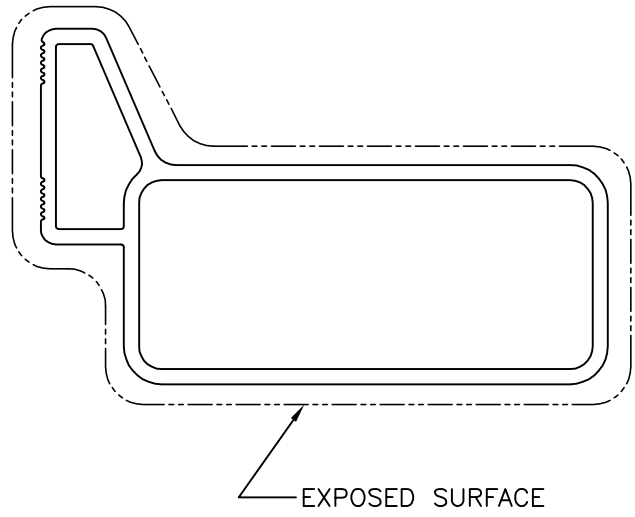


P-10027-1

S2554

27855



SYMBOL OF QUALITY  
AN ISO 9001 COMPANY

**JINDAL ALUMINIUM LTD.**  
BANGALORE-560073 (INDIA)

	NAME	DATE
DRAWN	J.P.KAUSHIK	02-06-2010
CHECKED		
APPROVED	S.S.GARG	12-06-2010
SCALE		1:1
AREA mm <sup>2</sup>		462.054
PERIMETER mm.		235.095
WEIGHT kg/m		1.248
DRAWING No.	SECTION No.	
P-10027-1	-	
S2554	S2554	
27855	27855	

1. ALL DIMENSIONS ARE IN mm.
2. ROUND OFF ALL SHARP CORNERS WITH 0.40 mm.
3. TOLERANCES WILL BE AS PER IS:6477-1983 UNLESS OTHERWISE SPECIFIED

PARTY'S NAME	TURBO INDUSTRIES PVT. LTD., LUDHIANA
PARTY'S DRAWING No.	TAX-322-00-01
ALLOY & TEMPER	6106 T5
DESCRIPTION	MISC. SECTION