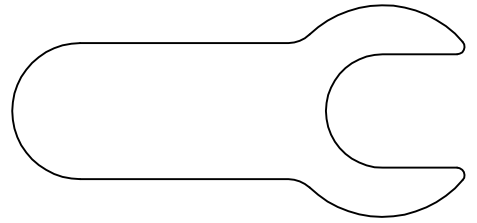


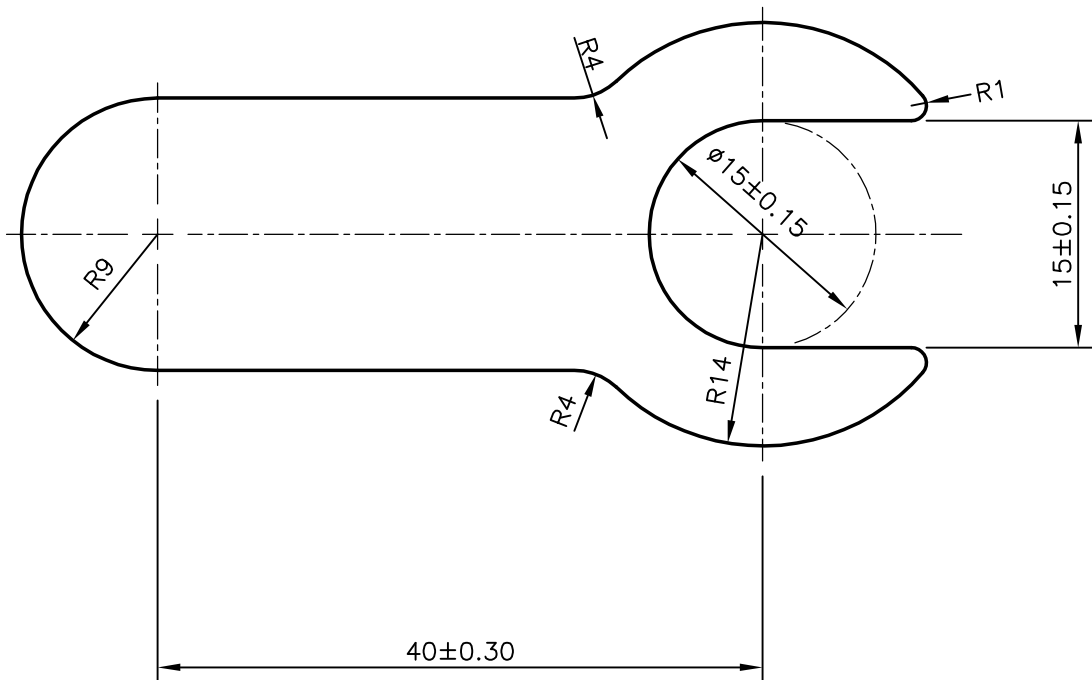
P-9111-1

S2113

27862



1:1



SYMBOL OF QUALITY  
AN ISO 9001 COMPANY

**JINDAL ALUMINIUM LTD.**  
BANGALORE-560073 (INDIA)

	NAME	DATE
DRAWN	J.P.KAUSHIK	24-03-2009
CHECKED		
APPROVED	S.S.GARG	24-04-2009
SCALE		2:1
AREA mm <sup>2</sup>		940.653
PERIMETER mm.		182.7
WEIGHT kg/m		2.54
DRAWING No.	SECTION No.	
P-9111-1	-	
S2113	S2113	
27862	27862	

1. ALL DIMENSIONS ARE IN mm.
2. ROUND OFF ALL SHARP CORNERS WITH 0.40 mm.
3. TOLERANCES WILL BE AS PER IS:3965-1981 UNLESS OTHERWISE SPECIFIED

PARTY'S NAME	GLOBAL AUTOTECH LTD.,NOIDA
PARTY'S DRAWING No.	TC-EX-115
ALLOY & TEMPER	6061 T6
DESCRIPTION	TUBE CONNECTOR