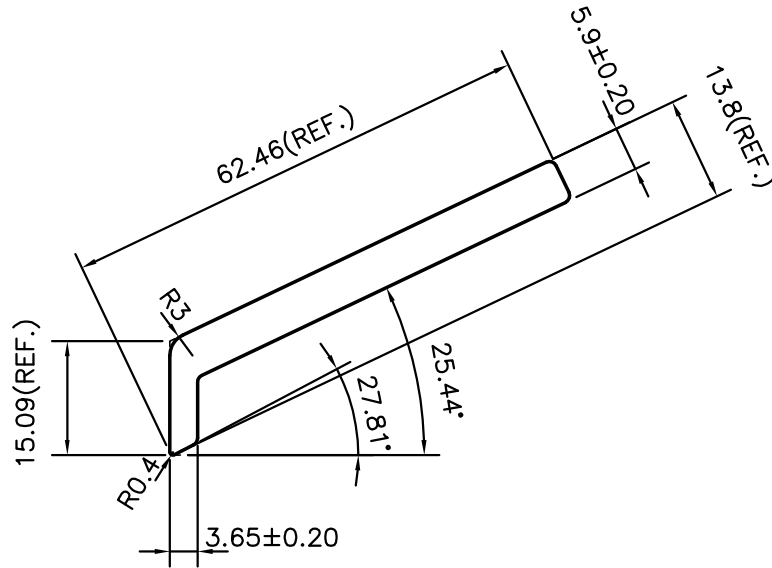
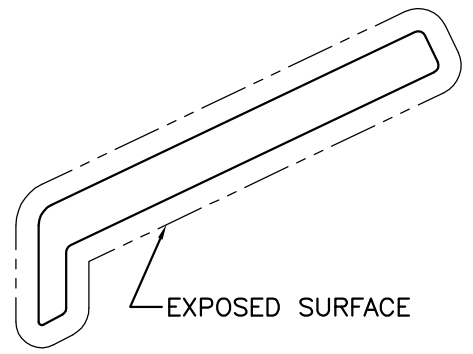



P-10722
S2831
27875



ISSUE:-

SHAPE CHANGED & WEIGHT ALSO CHANGED FROM 1.615 kg/M TO 0.999 kg/M

UNSPECIFIED RADIUS 1.0 mm (4 Nos)

 SYMBOL OF QUALITY AN ISO 9001 COMPANY	JINDAL ALUMINIUM LTD. BANGALORE-560073 (INDIA)	NAME		DATE
		DRAWN	J.P.KAUSHIK	28-01-2011
1. ALL DIMENSIONS ARE IN mm. 2. ROUND OFF ALL SHARP CORNERS WITH 1.0 mm. 3. TOLERANCES WILL BE AS PER, IS:3965-1981 UNLESS OTHERWISE SPECIFIED		CHECKED		
		APPROVED	S.S.GARG	01-02-2011
PARTY'S NAME SAS PRECISION ENGINEERING PVT. LTD., BANGALORE		SCALE		1:1
		AREA mm ²		370.027
PARTY'S DRAWING No. AS PER DRAWING		PERIMETER mm.		142.963
		WEIGHT kg/m		0.999
ALLOY & TEMPER 6063 T6		DRAWING No.		P-10722
		SECTION No.		-
DESCRIPTION MISC. SECTION		S2831		S2831 (ISSUE-2)
		27875		27875