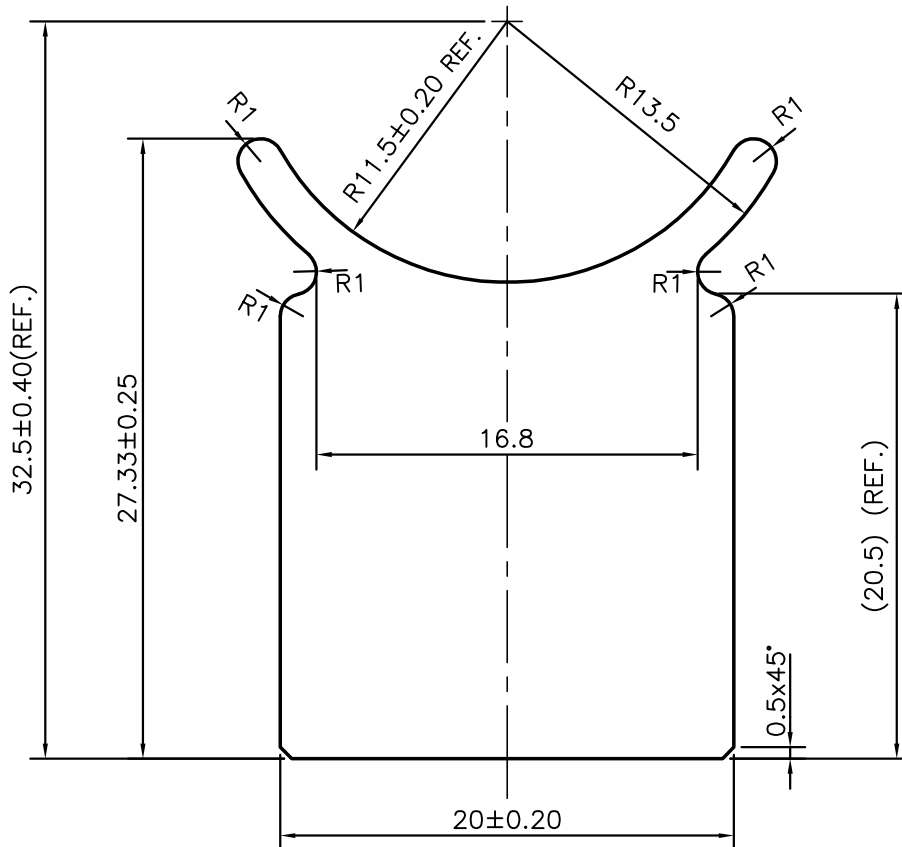
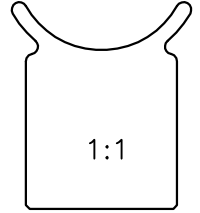


P-10768

S2857

27876



SYMBOL OF QUALITY
AN ISO 9001 COMPANY

JINDAL ALUMINIUM LTD.
BANGALORE-560073 (INDIA)

	NAME	DATE
DRAWN	J.P.KAUSHIK	10-02-2011
CHECKED		
APPROVED	J.N. RAI	15-02-2011
SCALE		3:1
AREA mm ²		456.047
PERIMETER mm.		105.591
WEIGHT kg/m		1.231
DRAWING No.	SECTION No.	
P-10768	-	
S2857	S2857	
27876	27876	

1. ALL DIMENSIONS ARE IN mm.
2. ROUND OFF ALL SHARP CORNERS WITH 0.40 mm.
3. TOLERANCES WILL BE AS PER, IS:3965-1981 UNLESS OTHERWISE SPECIFIED

PARTY'S NAME	WONJIN AUTOPARTS INDIA PVT. LTD., MARAMALAI NAGAR
PARTY'S DRAWING No.	01-05-05
ALLOY & TEMPER	6005 T5
DESCRIPTION	MISC. SECTION