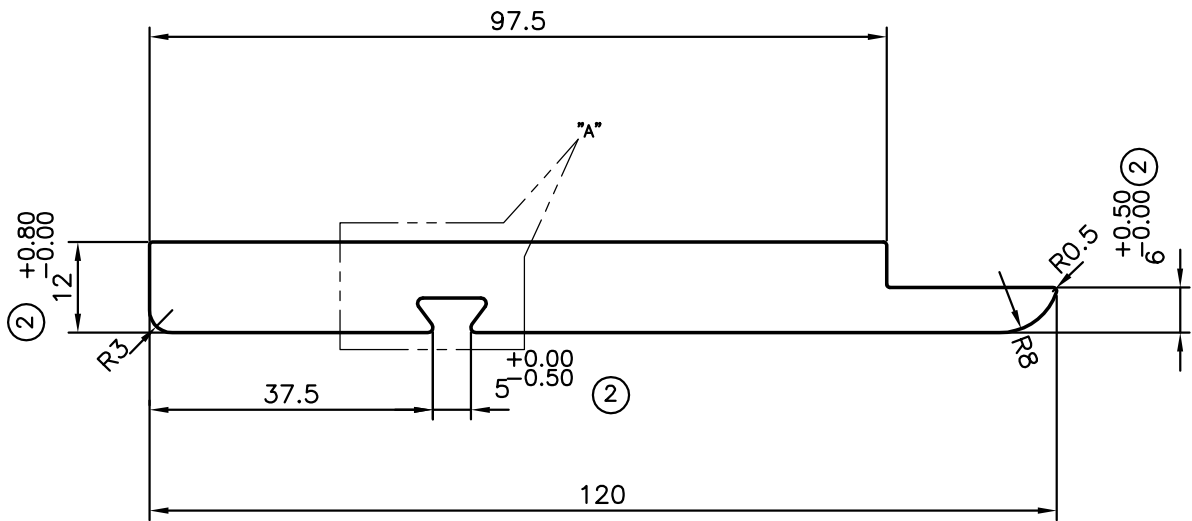
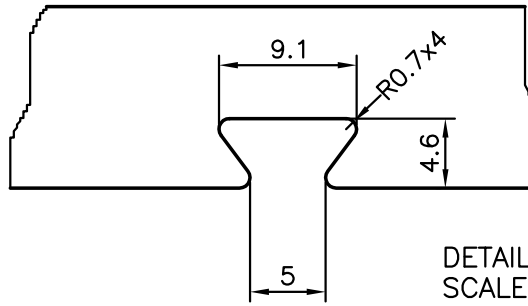


P-10924-2

S2911

27886



ISSUE ; - 2

TOLERANCE ADDED



SYMBOL OF QUALITY
AN ISO 9001 COMPANY

JINDAL ALUMINIUM LTD.
BANGALORE-560073 (INDIA)

	NAME	DATE
DRAWN	J.P.KAUSHIK	10-01-2012
CHECKED		
APPROVED	S.S.GARG	16-01-2012

1. ALL DIMENSIONS ARE IN mm.
2. ROUND OFF ALL SHARP CORNERS WITH 0.40 mm.
3. TOLERANCES WILL BE AS PER IS:3965-1981 UNLESS OTHERWISE SPECIFIED

SCALE	1:1
AREA mm ²	1259.504
PERIMETER mm.	272.329
WEIGHT kg/m	3.401

PARTY'S NAME	WELFAB TECHNOLOGIES PVT. LTD., BANGALORE
PARTY'S DRAWING No.	B31_0145
ALLOY & TEMPER	6061 T6
DESCRIPTION	SPACER-1

DRAWING No.	SECTION No.
P-10924-2	-
S2911	S2911
27886	27886(ISSUE-2)