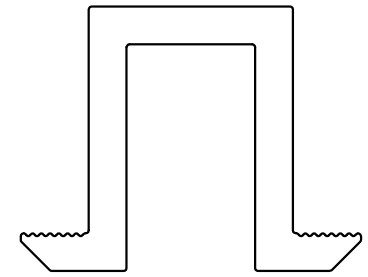
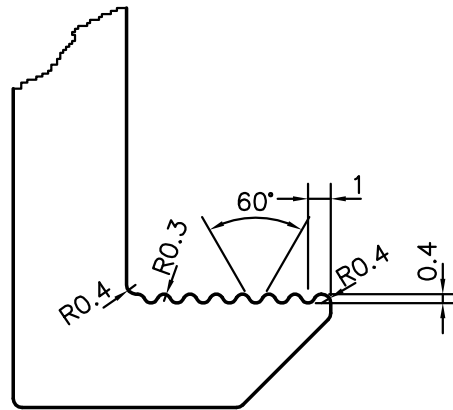


P-11215

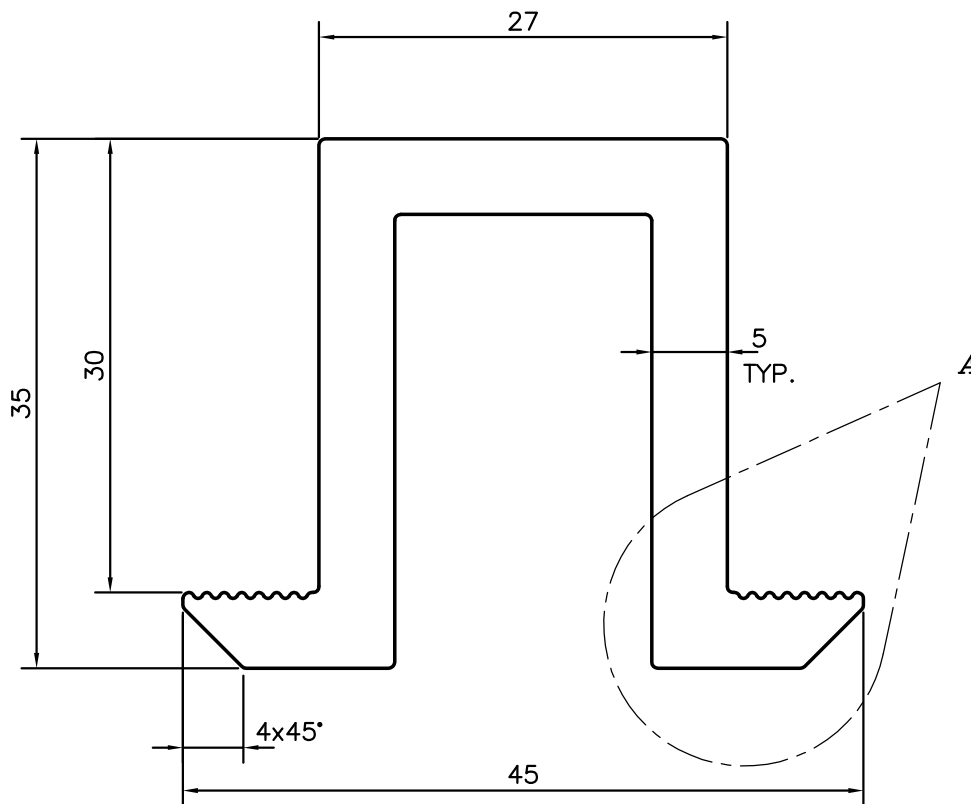
S3062

27909



SCALE- 1:1

DETAIL OF 'A'
SCALE 3:1



SYMBOL OF QUALITY
AN ISO 9001 COMPANY

JINDAL ALUMINIUM LTD.
BANGALORE-560073 (INDIA)

	NAME	DATE
DRAWN	PARVESH	19-09-2011
CHECKED		
APPROVED	S.S.GARG	23-09-2011
SCALE		2:1
AREA mm ²		505.684
PERIMETER mm.		218.188
WEIGHT kg/m		1.365

1. ALL DIMENSIONS ARE IN mm.
2. ROUND OFF ALL SHARP CORNERS WITH 0.40 mm.
3. TOLERANCES WILL BE AS PER,BS:EN-755-9 UNLESS OTHERWISE SPECIFIED

PARTY'S NAME	SOLIDUS HITECH PRODUCTS PVT. LTD., BANGALORE	DRAWING No.	P-11215	SECTION No.	-
PARTY'S DRAWING No.	WEE-STDP-ME-UCL-006		S3062		S3062
ALLOY & TEMPER	6063 T5		27909		27909
DESCRIPTION	U-CLAMP				