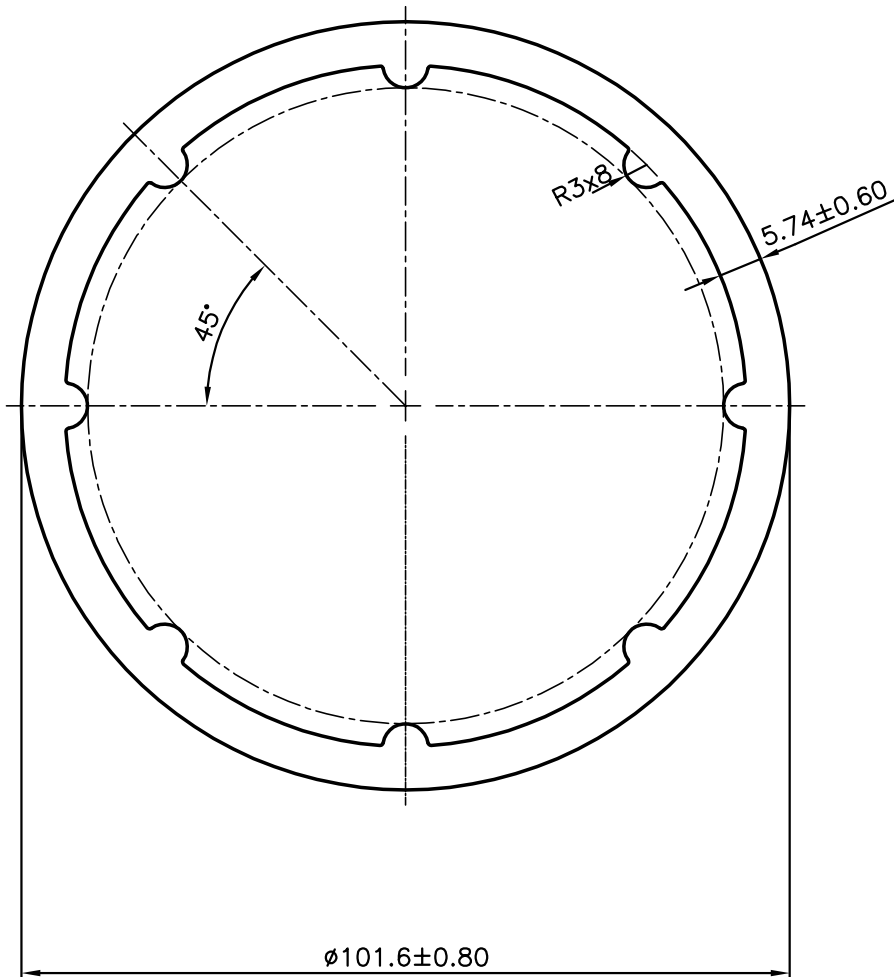



P-9465
X1204
27916



 SYMBOL OF QUALITY AN ISO 9001 COMPANY	JINDAL ALUMINIUM LTD. BANGALORE-560073 (INDIA)	NAME		DATE
		DRAWN	J.P.KAUSHIK	04-09-2009
1. ALL DIMENSIONS ARE IN mm. 2. ROUND OFF ALL SHARP CORNERS WITH 0.4mm. 3. TOLERANCES WILL BE AS PER IS:6477-1983 UNLESS OTHERWISE SPECIFIED		CHECKED		
		APPROVED		
PARTY'S NAME WEB CONVERTING CORPORATION, VADODARA		SCALE		1:1
		AREA mm ²		1840.613
PARTY'S DRAWING No. AS PER DRAWING		PERIMETER mm.		319.186
		WEIGHT kg/m		4.97
ALLOY & TEMPER HE9 WP		DRAWING No.		SECTION No.
		P-9465		-
DESCRIPTION MISC. TUBE		X1204		X1204
		27916		27916