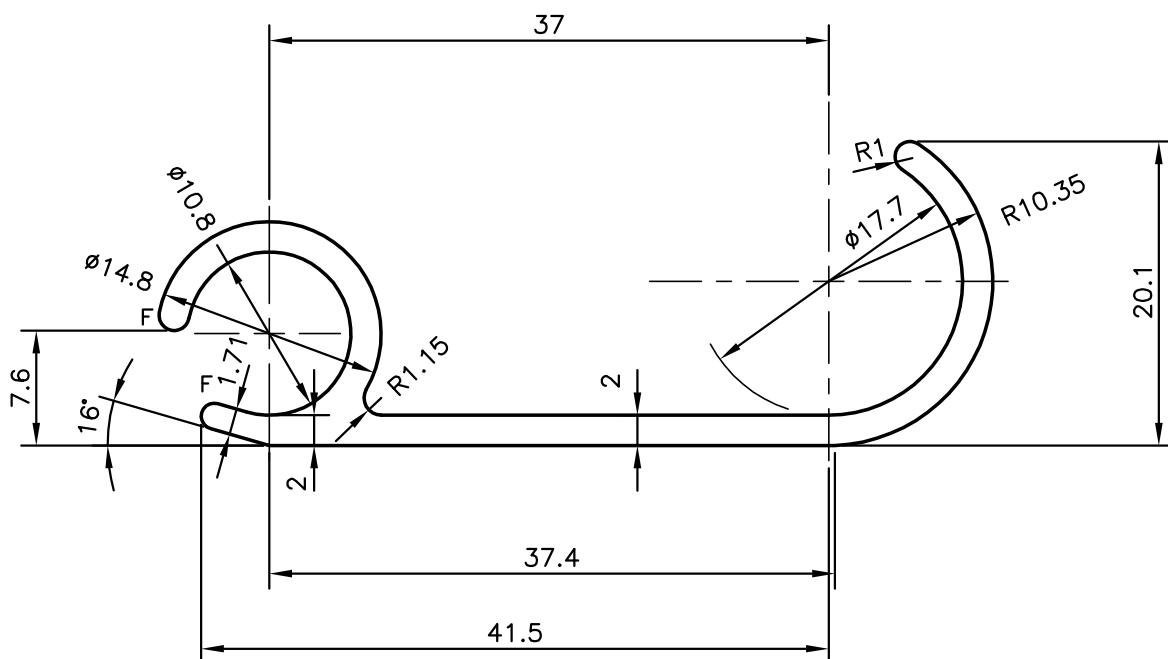
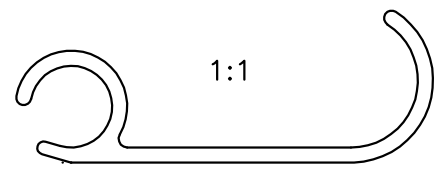


P-10143-1

X1327

27918



F = FULL RADIUS (2)



SYMBOL OF QUALITY
AN ISO 9001 COMPANY

JINDAL ALUMINIUM LTD.
BANGALORE-560073 (INDIA)

	NAME	DATE
DRAWN	J.P.KAUSHIK	01-07-2010
CHECKED		
APPROVED	S.S.GARG	10-07-2010
SCALE		2:1
AREA mm ²		187.506
PERIMETER mm.		186.137
WEIGHT kg/m		0.506
DRAWING No.	SECTION No.	
P-10143-1	-	
X1327	X1327	
27918	27918	

1. ALL DIMENSIONS ARE IN mm.
2. ROUND OFF ALL SHARP CORNERS WITH 0.40 mm.
3. TOLERANCES WILL BE AS PER BS:EN-12020-2 UNLESS OTHERWISE SPECIFIED

PARTY'S NAME	ALUMINIUM TRADING CO., DELHI
PARTY'S DRAWING No.	AS PER DRAWING
ALLOY & TEMPER	6005 T6
DESCRIPTION	MISC. SECTION