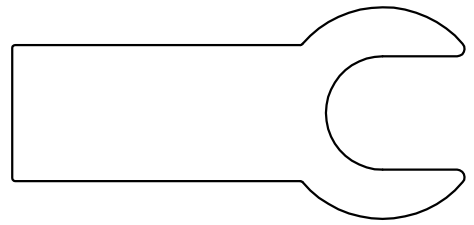


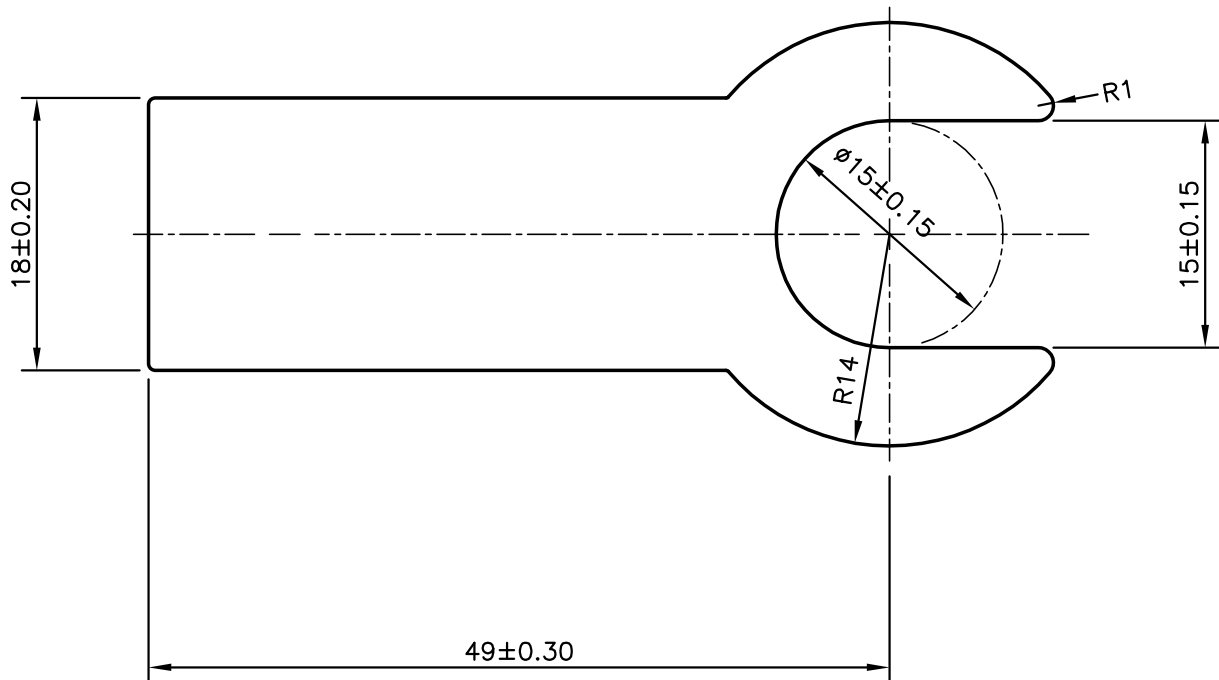
P-9682-1

S2410

27933



1:1



SYMBOL OF QUALITY  
AN ISO 9001 COMPANY

**JINDAL ALUMINIUM LTD.**  
BANGALORE-560073 (INDIA)

	NAME	DATE
DRAWN	J.P.KAUSHIK	17-12-2009
CHECKED		
APPROVED		
SCALE		2:1
AREA mm <sup>2</sup>		974.63
PERIMETER mm.		190.446
WEIGHT kg/m		2.632
DRAWING No.	SECTION No.	
P-9682-1	-	
S2410	S2410	
27933	27933	

1. ALL DIMENSIONS ARE IN mm.
2. ROUND OFF ALL SHARP CORNERS WITH 0.40 mm.
3. TOLERANCES WILL BE AS PER IS:3965-1981 UNLESS OTHERWISE SPECIFIED

PARTY'S NAME	GLOBAL AUTOTECH LTD.,NOIDA
PARTY'S DRAWING No.	TC-EX-133
ALLOY & TEMPER	6061 T6
DESCRIPTION	TUBE CONNECTOR