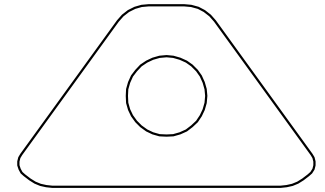


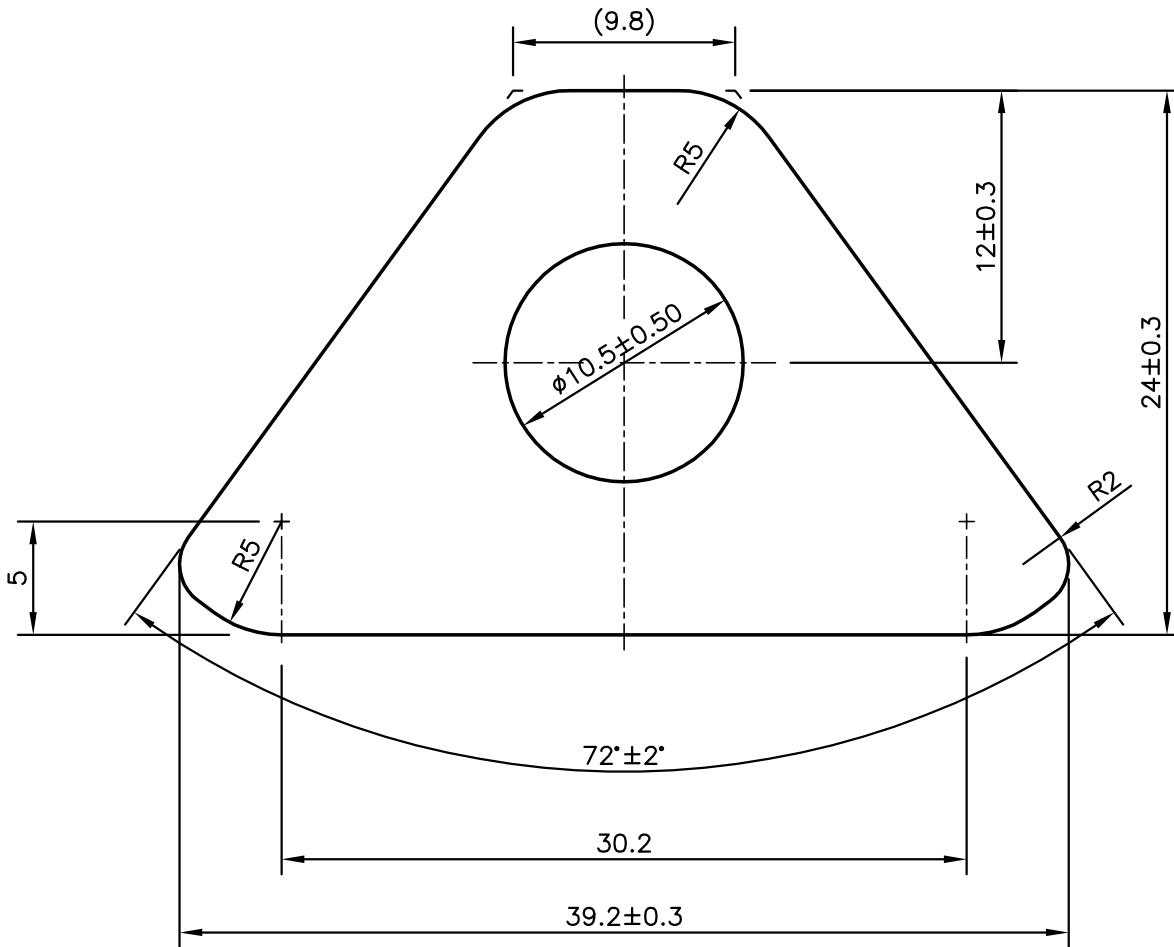
P-9667-1

X1235

27935



SCALE 1:1



SYMBOL OF QUALITY
AN ISO 9001 COMPANY

JINDAL ALUMINIUM LTD.
BANGALORE-560073 (INDIA)

	NAME	DATE
DRAWN	J.P.KAUSHIK	16-12-2009
CHECKED		
APPROVED		

1. ALL DIMENSIONS ARE IN mm.
2. ROUND OFF ALL SHARP CORNERS WITH 0.40 mm.
3. TOLERANCES WILL BE AS PER IS:6477-1983 UNLESS OTHERWISE SPECIFIED

SCALE	3:1
AREA mm ²	547.914
PERIMETER mm.	102.351
WEIGHT kg/m	1.479

PARTY'S NAME	BRIDGESTONE TVS INDIA PVT. LTD., MADURAI
PARTY'S DRAWING No.	SI/RF/MECH:4704
ALLOY & TEMPER	6061 T6
DESCRIPTION	MISC. INNER TUBE

DRAWING No.	SECTION No.
P-9667-1	-
X1235	X1235
27935	27935