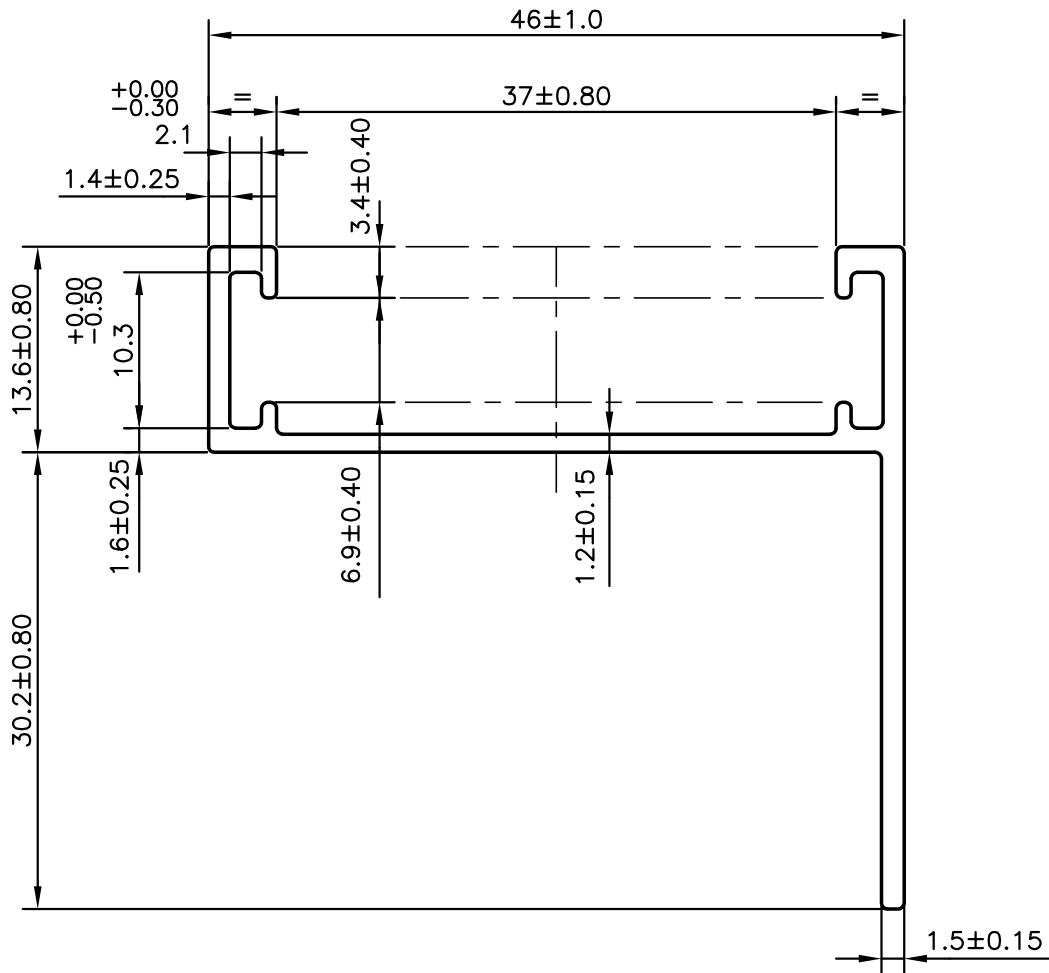
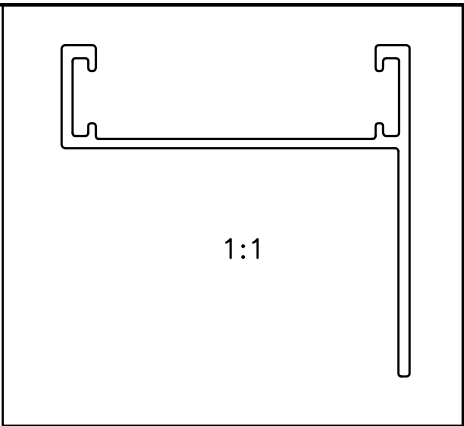



P-9922-1
S2535
27953



 SYMBOL OF QUALITY AN ISO 9001 COMPANY	JINDAL ALUMINIUM LTD. BANGALORE-560073 (INDIA)	DRAWN	J.P.KAUSHIK	DATE	19-05-2010
		CHECKED			
1. ALL DIMENSIONS ARE IN mm. 2. ROUND OFF ALL SHARP CORNERS WITH 0.40 mm. 3. TOLERANCES WILL BE AS PER IS:3965-1981 UNLESS OTHERWISE SPECIFIED		APPROVED	S.S.GARG		21-05-2010
		SCALE			2:1
PARTY'S NAME AAF INDIA PVT. LTD., BANGALORE		AREA	mm ²		154.903
		PERIMETER	mm.		225.936
PARTY'S DRAWING No. AAF-R&D-EXT 033		WEIGHT	kg/m		0.418
		DRAWING No.		SECTION No.	
ALLOY & TEMPER 63400 WP			P-9922-1		-
			S2535		S2535
DESCRIPTION MISC. SECTION			27953		27953