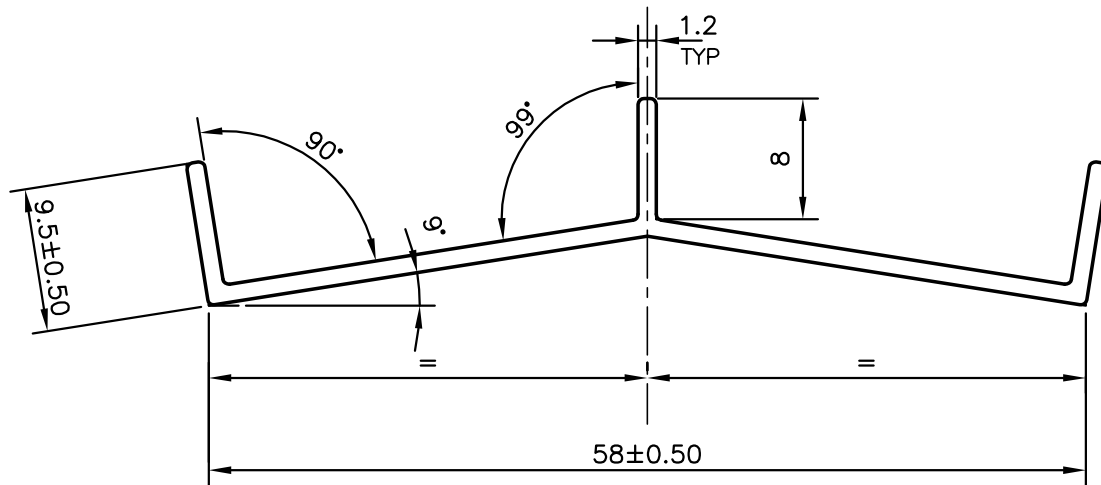
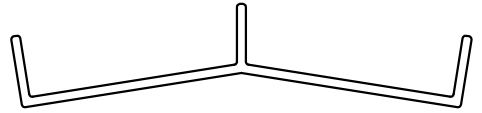


P-11075

S3013

27958



SYMBOL OF QUALITY
AN ISO 9001 COMPANY

JINDAL ALUMINIUM LTD.
BANGALORE-560073 (INDIA)

	NAME	DATE
DRAWN	J.P.KAUSHIK	08-07-2011
CHECKED		
APPROVED	S.S.GARG	29-07-2011
SCALE		2:1
AREA mm ²		100
PERIMETER mm.		167.459
WEIGHT kg/m		0.27

1. ALL DIMENSIONS ARE IN mm.
2. ROUND OFF ALL SHARP CORNERS WITH 0.40 mm.
3. TOLERANCES WILL BE AS PER, IS:3965-1981 UNLESS OTHERWISE SPECIFIED

PARTY'S NAME	SPX INDIA PVT LTD., JAIPUR	DRAWING No.	P-11075	SECTION No.	-
PARTY'S DRAWING No.	SE-01-001 REV-02		S3013		S3013
ALLOY & TEMPER	6063 T5		27958		27958
DESCRIPTION	MISC. CHANNEL				