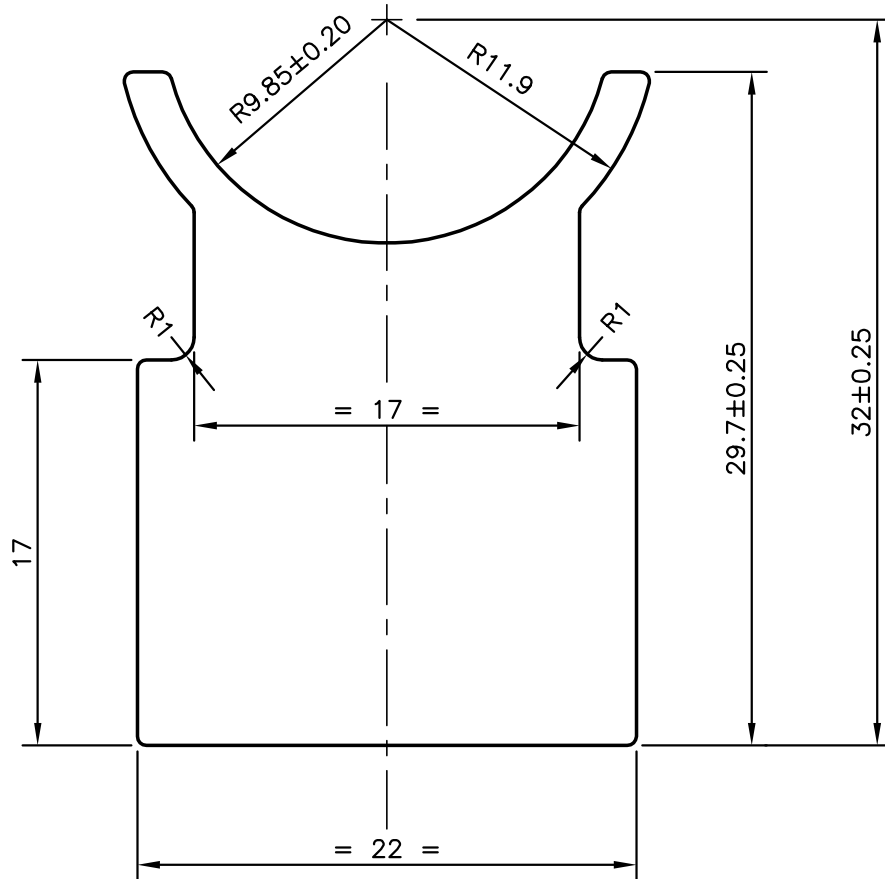
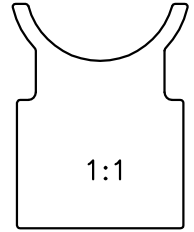


P-10165

S2606

27960



SYMBOL OF QUALITY
AN ISO 9001 COMPANY

JINDAL ALUMINIUM LTD.
BANGALORE-560073 (INDIA)

	NAME	DATE
DRAWN	J.P.KAUSHIK	07-07-2010
CHECKED		
APPROVED	S.S.GARG	29-07-2010

1. ALL DIMENSIONS ARE IN mm.
2. ROUND OFF ALL SHARP CORNERS WITH 0.40 mm.
3. TOLERANCES WILL BE AS PER BS:EN-12020-2 UNLESS OTHERWISE SPECIFIED

SCALE	3:1
AREA mm ²	506.228
PERIMETER mm.	116.339
WEIGHT kg/m	1.367

PARTY'S NAME	GLOBAL AUTOTECH LTD., NOIDA	DRAWING No.	P-10165	SECTION No.	-
PARTY'S DRAWING No.	TC-EX-143-00	S2606	S2606		
ALLOY & TEMPER	DA 3103 BD-'O'	27960	27960		
DESCRIPTION	TUBE CONNECTOR				