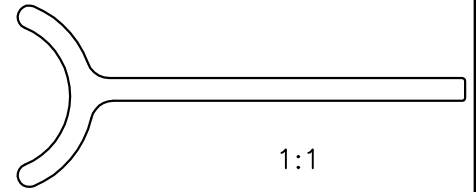


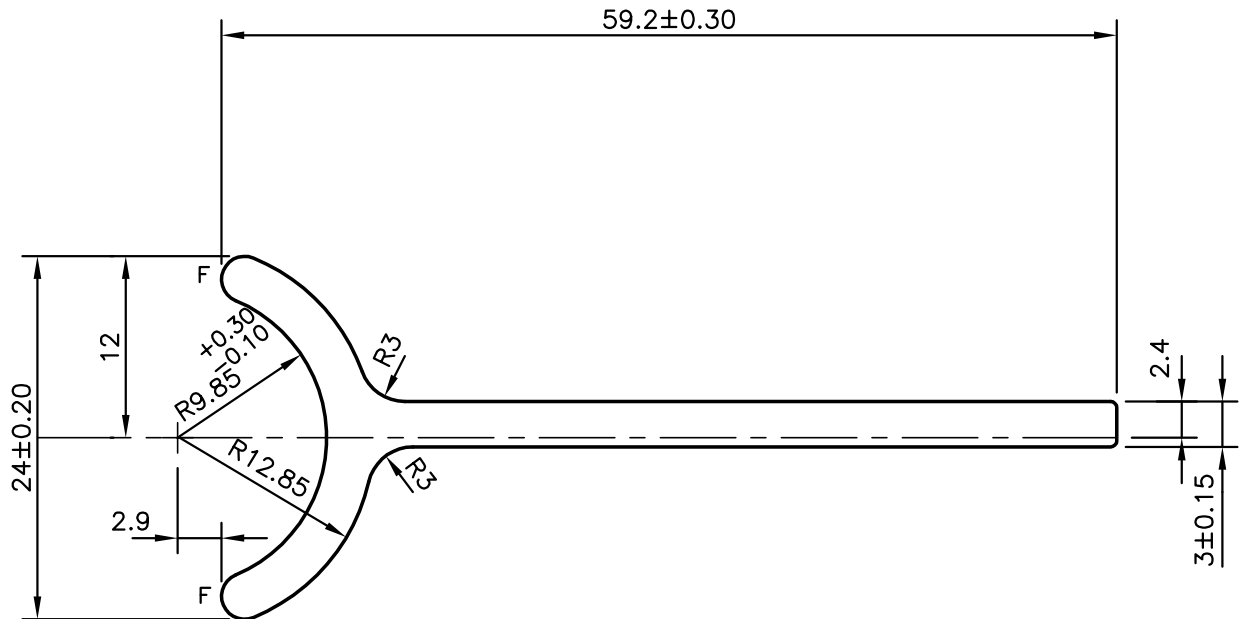
P-10166

S2607

27972



1:1



SYMBOL OF QUALITY  
AN ISO 9001 COMPANY

**JINDAL ALUMINIUM LTD.**  
BANGALORE-560073 (INDIA)

	NAME	DATE
DRAWN	J.P.KAUSHIK	07-07-2010
CHECKED		
APPROVED	S.S.GARG	29-07-2010
SCALE		2:1
AREA mm <sup>2</sup>		239.551
PERIMETER mm.		159.531
WEIGHT kg/m		0.647

1. ALL DIMENSIONS ARE IN mm.
2. ROUND OFF ALL SHARP CORNERS WITH 0.40 mm.
3. TOLERANCES WILL BE AS PER BS:EN-12020-2 UNLESS OTHERWISE SPECIFIED

PARTY'S NAME GLOBAL AUTOTECH LTD., NOIDA

PARTY'S DRAWING No. TC-EX-076

ALLOY & TEMPER DA 3103 BD-'O'

DESCRIPTION TUBE CONNECTOR

DRAWING No.	SECTION No.
P-10166	-
S2607	S2607
27972	27972