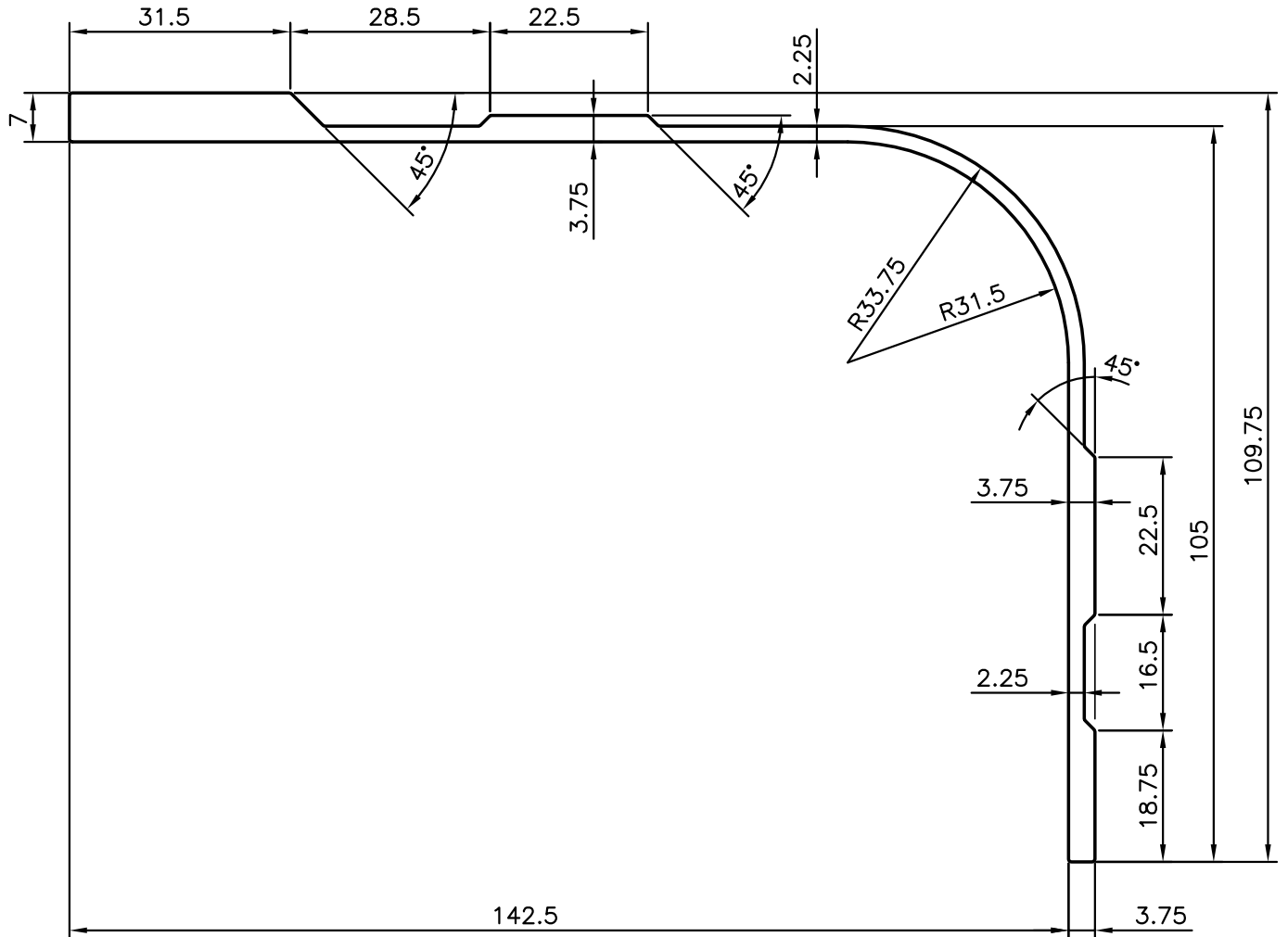


P-10387

S2685

27978



SYMBOL OF QUALITY
AN ISO 9001 COMPANY

JINDAL ALUMINIUM LTD.
BANGALORE-560073 (INDIA)

	NAME	DATE
DRAWN	J.P.KAUSHIK	16-09-2010
CHECKED		
APPROVED	S.S.GARG	21-09-2010
SCALE		1:1
AREA mm ²		787.388
PERIMETER mm.		481.925
WEIGHT kg/m		2.126
DRAWING No.	SECTION No.	
P-10387		
S2685	S2685	
27978	27978	

1. ALL DIMENSIONS ARE IN mm.
2. ROUND OFF ALL SHARP CORNERS WITH 0.40 mm.
3. TOLERANCES WILL BE AS PER IS:3965-1981 UNLESS OTHERWISE SPECIFIED

PARTY'S NAME	JASCH INDUSTRIES LTD. , SONEPAT (HARYANA)
PARTY'S DRAWING No.	AS PER DRAWING
ALLOY & TEMPER	HE9 WP
DESCRIPTION	MISC. PROFILE