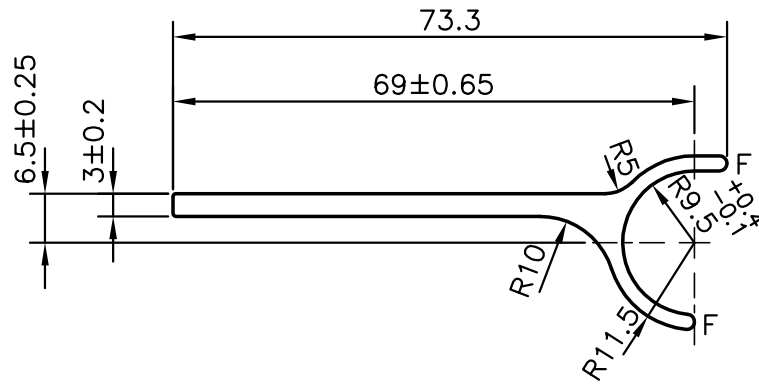


P-9841

S2720

27982



F = FULL RADIUS (2)



SYMBOL OF QUALITY
AN ISO 9001 COMPANY

JINDAL ALUMINIUM LTD.
BANGALORE-560073 (INDIA)

| | NAME | DATE |
|----------------------|-------------|------------|
| DRAWN | J.P.KAUSHIK | 23-02-2010 |
| CHECKED | | |
| APPROVED | S.S.GARG | 11-10-2010 |
| SCALE | | 1:1 |
| AREA mm ² | | 265.622 |
| PERIMETER mm. | | 189.419 |
| WEIGHT kg/m | | 0.717 |
| DRAWING No. | SECTION No. | |
| P-9841 | - | |
| S2720 | S2720 | |
| 27982 | 27982 | |

1. ALL DIMENSIONS ARE IN mm.
2. ROUND OFF ALL SHARP CORNERS WITH 0.40 mm.
3. TOLERANCES WILL BE AS PER IS:3965-1981 UNLESS OTHERWISE SPECIFIED

| | |
|---------------------|--|
| PARTY'S NAME | WONJIN AUTOPARTS PVT. LTD., MARAIMALAI NAGAR |
| PARTY'S DRAWING No. | PL-F841MD9AA01-206124 |
| ALLOY & TEMPER | 6005 T6 |
| DESCRIPTION | BRACKET MOUNTING SECTION |