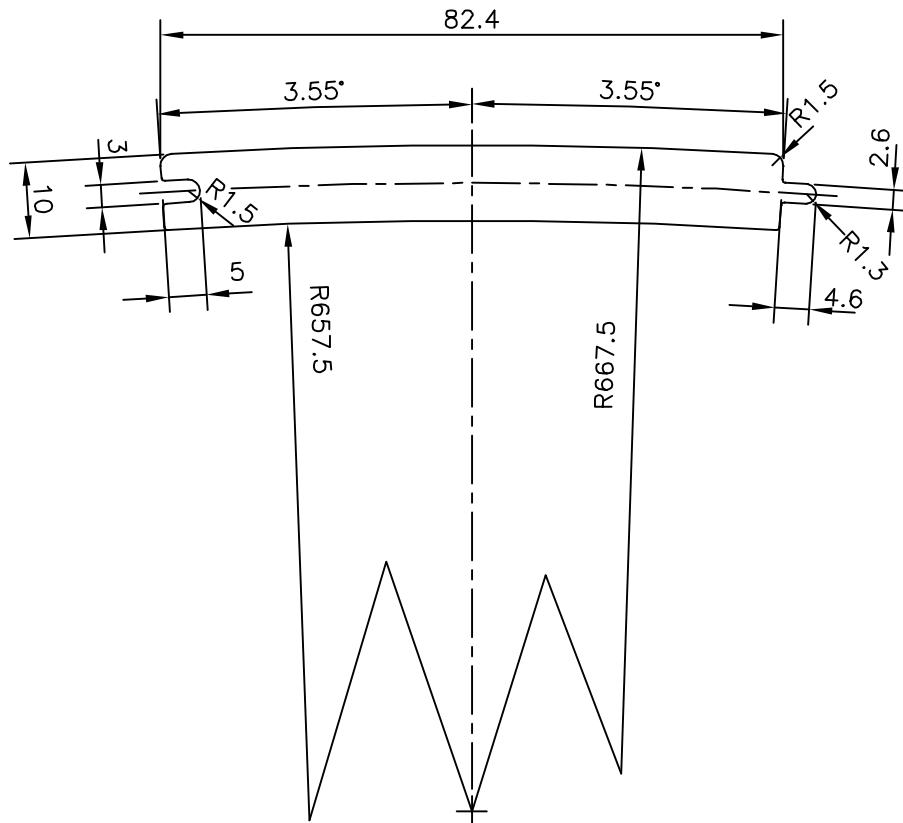


P-10435

S2740

27989



SYMBOL OF QUALITY
AN ISO 9001 COMPANY

JINDAL ALUMINIUM LTD.
BANGALORE-560073 (INDIA)

	NAME	DATE
DRAWN	J.P.KAUSHIK	28-09-2010
CHECKED		
APPROVED	S.S.GARG	25-10-2010

1. ALL DIMENSIONS ARE IN mm.
2. ROUND OFF ALL SHARP CORNERS WITH 0.40 mm.
3. TOLERANCES WILL BE AS PER IS:3965-1981 UNLESS OTHERWISE SPECIFIED

SCALE	1:1
AREA mm ²	816.301
PERIMETER mm.	198.503
WEIGHT kg/m	2.204

PARTY'S NAME BAJAJ TAMBULA PINNED PRODUCTS PVT. LTD.,
KOLKATA

DRAWING No. SECTION No.

PARTY'S DRAWING No. BT/DL/008/12-13

P-10435 -

ALLOY & TEMPER 6082 T6

S2740 S2740
27989 27989

DESCRIPTION MISC. SECTION