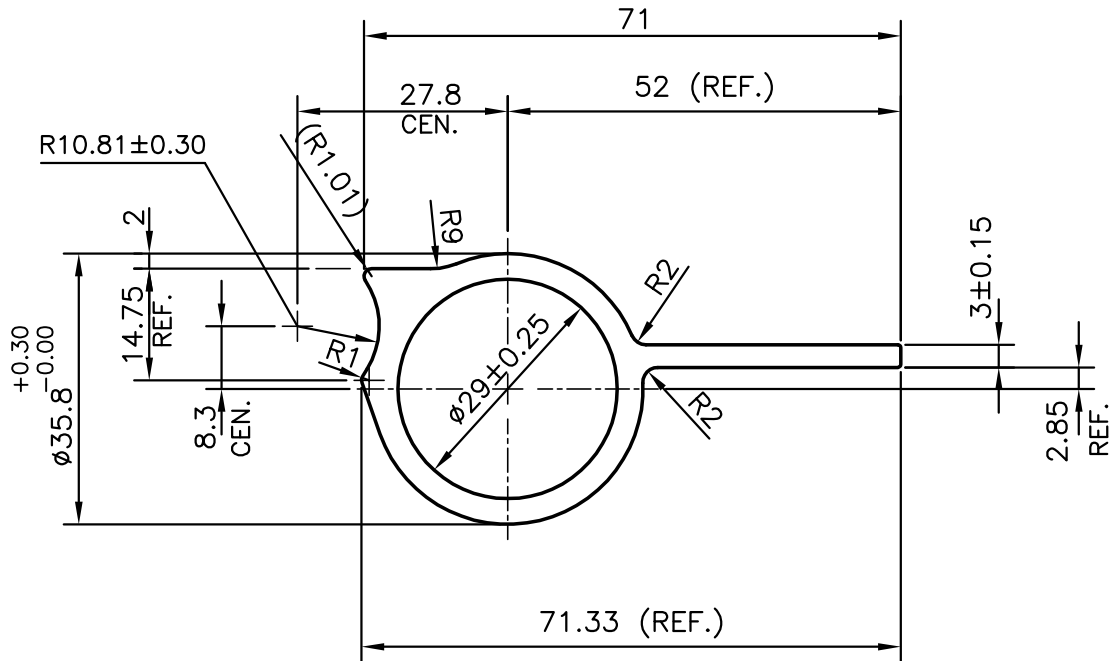


P-11373-4

S3138

27998



SYMBOL OF QUALITY
AN ISO 9001 COMPANY

JINDAL ALUMINIUM LTD.
BANGALORE-560073 (INDIA)

	NAME	DATE
DRAWN	PARVESH	27-12-2011
CHECKED		
APPROVED	S.S.GARG	30-12-2011
SCALE		1:1
AREA mm ²		498.309
PERIMETER mm.		187.826
WEIGHT kg/m		1.345
DRAWING No.	SECTION No.	
P-11373-4		
S3138	S3138	
27998	27998	

1. ALL DIMENSIONS ARE IN mm.
2. ROUND OFF ALL SHARP CORNERS WITH 0.40 mm.
3. TOLERANCES WILL BE AS PER IS:6477-1983 , UNLESS OTHERWISE SPECIFIED

PARTY'S NAME	YOONWOO AUTOMOTIVE INDIA PVT. LTD., PUNE
PARTY'S DRAWING No.	70.17634 & 70.17635
ALLOY & TEMPER	3103 "F"
DESCRIPTION	UPPER & LOWER PROFILE