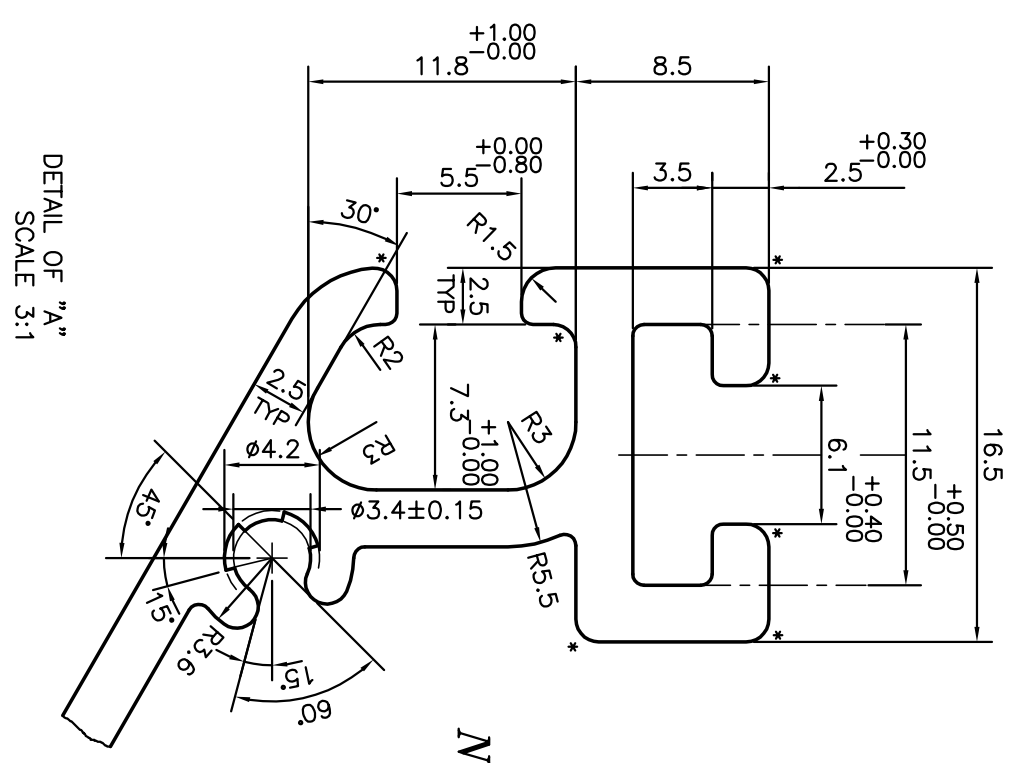
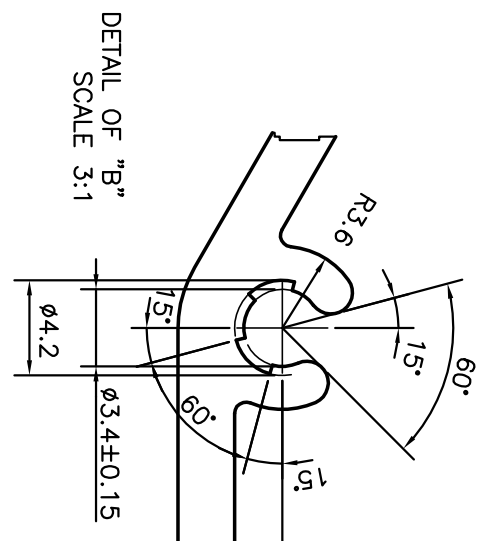


ISSUE-2
DIMENSION CHANGED FROM 221.9 TO 222.4

ISSUE-3
TOLERANCE CHANGED FROM 222.4 TO 222.4 ±1.8




DETAIL OF "A"
SCALE 3:1



DETAIL OF "B"
SCALE 3:1

NOTE:-
MATERIAL WILL BE SUPPLIED AS PER YOUR APPROVED DRAWING, ONLY

F = FULL RADIUS (8 PLACES)
* = 1.0 RADIUS (14 PLACES)

 JINDAL ALUMINIUM LTD. BANGALORE-560073 (INDIA)		SYMBOL OF QUALITY AN ISO 9001 COMPANY
		1. ALL DIMENSIONS ARE IN mm. 2. ROUND OFF ALL SHARP CORNERS WITH 0.50 mm. 3. TOLERANCES WILL BE AS PER BS:EN-755 UNLESS OTHERWISE SPECIFIED
PARTY'S NAME	AMPHENOL OMNICONNECT INDIA PVT. LTD., MARAMALAI NAGAR	
PARTY'S DRAWING No.	G2442-003-02	
ALLOY & TEMPER	6005A T5	
DESCRIPTION	MISC. SECTION	
DRAWN	J.P. KAUSHIK	DATE 27-04-2012
CHECKED		
APPROVED	S.S. GARG	27-04-2012
SCALE		1:1
AREA	mm ²	963.766
PERIMETER	mm.	763.281
WEIGHT	kg/m	2.602
DRAWING No.		SECTION No.
P-11507-3		
S3251		S3251(ISSUE-3)
27999		27999