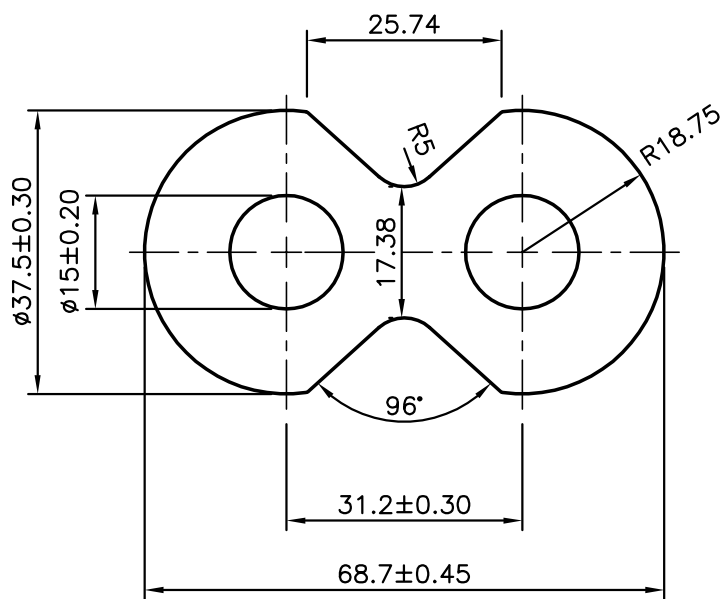


P-10502-1

S2866

28010



SYMBOL OF QUALITY
AN ISO 9001 COMPANY

JINDAL ALUMINIUM LTD.
BANGALORE-560073 (INDIA)

	NAME	DATE
DRAWN	J.P.KAUSHIK	22-10-2010
CHECKED		
APPROVED	S.S.GARG	11-03-2011
SCALE		1:1
AREA mm ²		1620.102
PERIMETER mm.		194.667
WEIGHT kg/m		4.374
DRAWING No.	SECTION No.	
P-10502-1	-	
S2866	S2866	
28010	28010	

1. ALL DIMENSIONS ARE IN mm.
2. ROUND OFF ALL SHARP CORNERS WITH 0.40 mm.
3. TOLERANCES WILL BE AS PER IS:6477-1983 UNLESS OTHERWISE SPECIFIED

PARTY'S NAME	GEARED HYDROPOWER PVT. LTD., BELGAUM
PARTY'S DRAWING No.	101 000 005-m/C
ALLOY & TEMPER	HE30 WP
DESCRIPTION	PUMP BODY