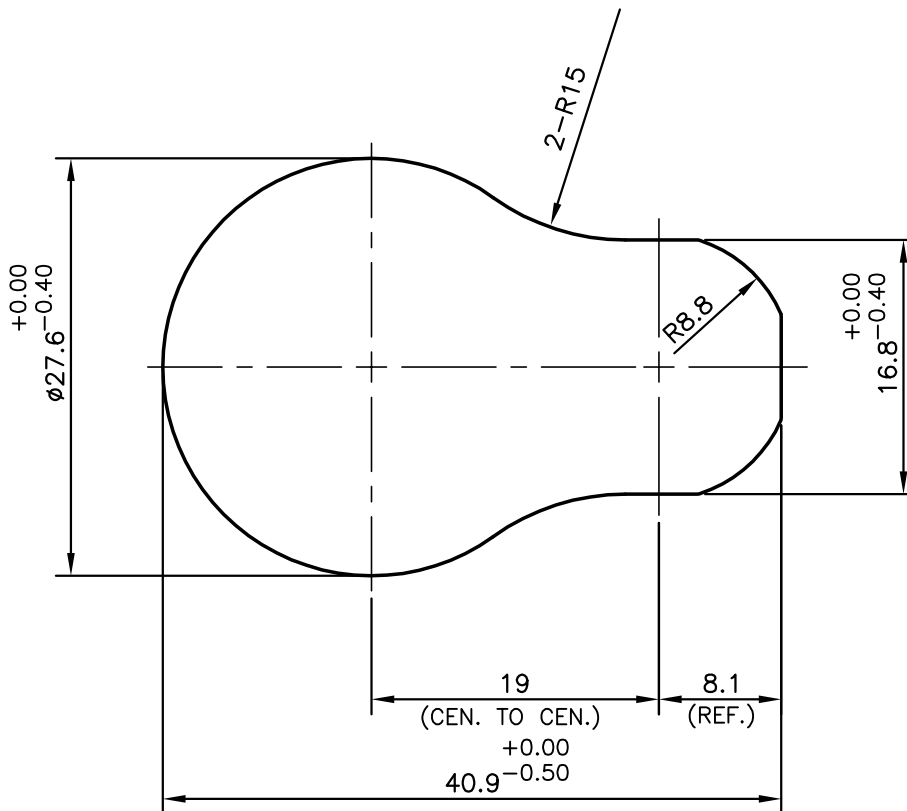
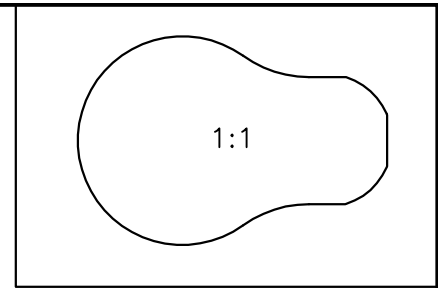


P-12193-1

S3704

28016



SYMBOL OF QUALITY
AN ISO 9001 COMPANY

JINDAL ALUMINIUM LTD.
BANGALORE-560073 (INDIA)

	NAME	DATE
DRAWN	J.P.KAUSHIK	07-03-2013
CHECKED		
APPROVED	S.S.GARG	21-03-2013

1. ALL DIMENSIONS ARE IN mm.
2. ROUND OFF ALL SHARP CORNERS WITH 0.40 mm.
3. TOLERANCES WILL BE AS PER,BS:EN-755-9 UNLESS OTHERWISE SPECIFIED

SCALE	2:1
AREA mm ²	824.642
PERIMETER mm.	110.994
WEIGHT kg/m	2.227

PARTY'S NAME	WONJIN AUTOPARTS INDIA PVT. LTD. MARAMALAI NAGAR
PARTY'S DRAWING No.	SJ 01060 & SJ 01070
ALLOY & TEMPER	6061 O
DESCRIPTION	FORGING J/F-EXTRUSION

DRAWING No.	SECTION No.
P-12193-1	-
S3704	S3704
28016	28016