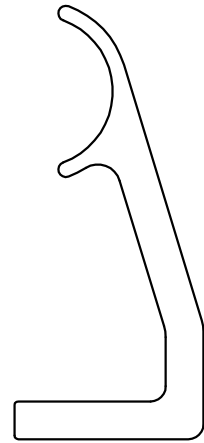


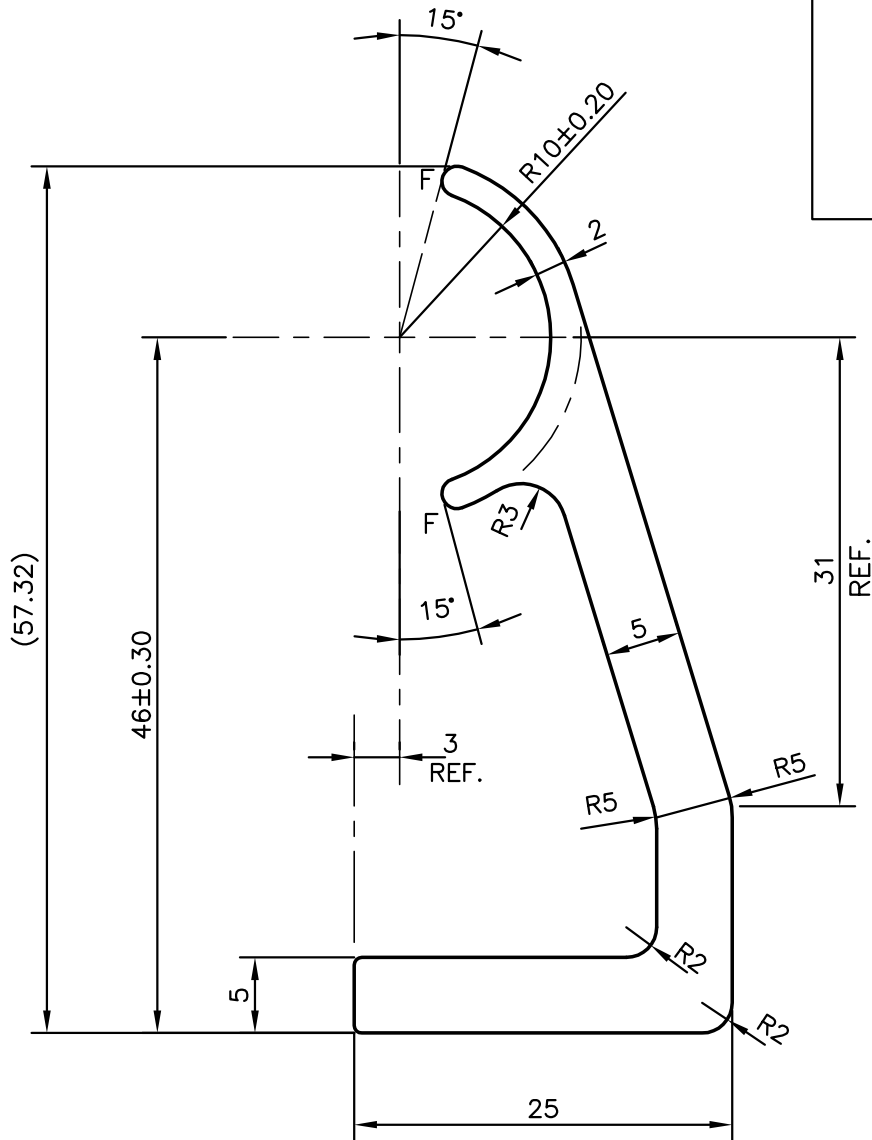
P-11531-2

S3213

28024



SCALE :- 1:1



SYMBOL OF QUALITY  
AN ISO 9001 COMPANY

**JINDAL ALUMINIUM LTD.**  
BANGALORE-560073 (INDIA)

	NAME	DATE
DRAWN	PARVESH	20-02-2012
CHECKED		
APPROVED	S.S.GARG	09-03-2012
SCALE		2:1
AREA mm <sup>2</sup>		378.583
PERIMETER mm.		178.808
WEIGHT kg/m		1.022
DRAWING No.	SECTION No.	
P-11531-2	-	
S3213	S3213	
28024	28024	

1. ALL DIMENSIONS ARE IN mm.
2. ROUND OFF ALL SHARP CORNERS WITH 0.50 mm.
3. TOLERANCES WILL BE AS PER,IS:3965-1981 UNLESS OTHERWISE SPECIFIED

PARTY'S NAME	WONJIN AUTOPARTS INDIA PVT. LTD. MARAMALAI NAGAR
PARTY'S DRAWING No.	F841QQ7CA01
ALLOY & TEMPER	6005 T5
DESCRIPTION	BRACKET SECTION