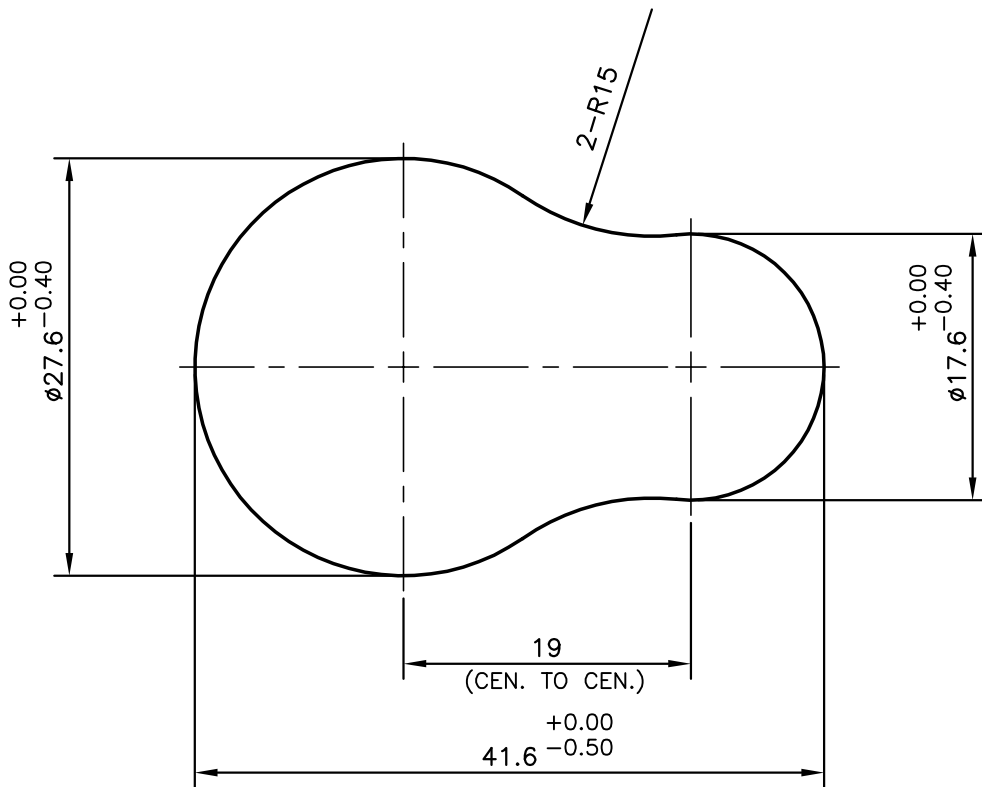
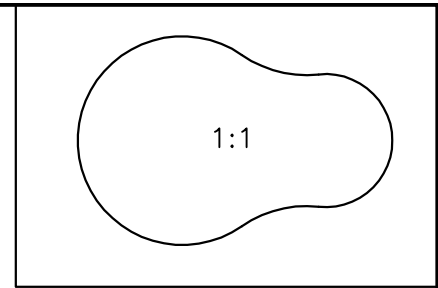


P-12192-1

S3703

28038



JINDAL ALUMINIUM LTD.
BANGALORE-560073 (INDIA)

	NAME	DATE
DRAWN	J.P.KAUSHIK	07-03-2013
CHECKED		
APPROVED	S.S.GARG	21-03-2013

1. ALL DIMENSIONS ARE IN mm.
2. ROUND OFF ALL SHARP CORNERS WITH 0.40 mm.
3. TOLERANCES WILL BE AS PER, BS:EN-755-9 UNLESS OTHERWISE SPECIFIED

SCALE	2:1
AREA mm ²	833.333
PERIMETER mm.	111.115
WEIGHT kg/m	2.250

PARTY'S NAME	WONJIN AUTOPARTS INDIA PVT. LTD. MARAMALAI NAGAR
PARTY'S DRAWING No.	SJ 01072
ALLOY & TEMPER	6061 O
DESCRIPTION	FORGING J/F-EXTRUSION

DRAWING No.	SECTION No.
P-12192-1	-
S3703	S3703
28038	28038