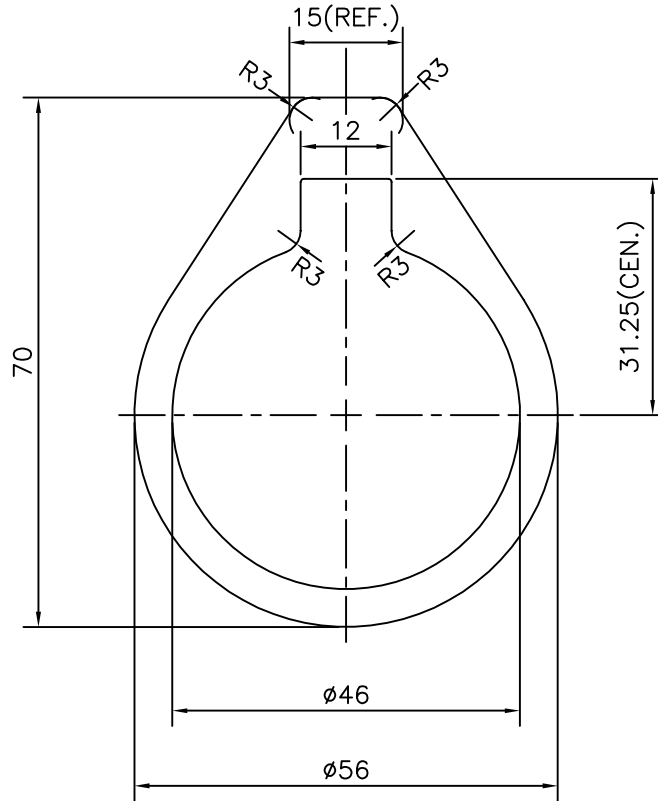



P-11185-1

S3044

28049



 SYMBOL OF QUALITY AN ISO 9001 COMPANY	JINDAL ALUMINIUM LTD. BANGALORE-560073 (INDIA)		NAME	DATE
		DRAWN	J.P.KAUSHIK	31-08-2011
1. ALL DIMENSIONS ARE IN mm. 2. ROUND OFF ALL SHARP CORNERS WITH 0.40 mm. 3. TOLERANCES WILL BE AS PER,BS:EN-755-9 UNLESS OTHERWISE SPECIFIED		CHECKED		
		APPROVED	J.N. RAI	12-09-2011
PARTY'S NAME WENTEX INDIA PVT. LTD., MANESAR		SCALE		1:1
		AREA mm ²		1066.77
PARTY'S DRAWING No. AS PER DRAWING		PERIMETER mm.		195.702
		WEIGHT kg/m		2.880
ALLOY & TEMPER 6063 T6		DRAWING No.	SECTION No.	
		P-11185-1	-	
DESCRIPTION REDUCER OUTER TUBE- MIDDLE TUBE		S3044	S3044	
		28049	28049	