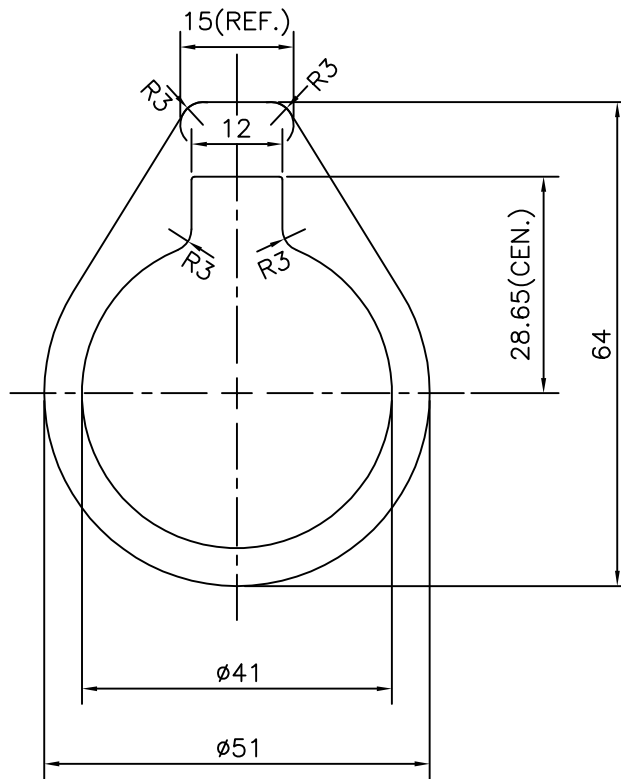


P-11186-1

S3045

28050



SYMBOL OF QUALITY  
AN ISO 9001 COMPANY

**JINDAL ALUMINIUM LTD.**  
BANGALORE-560073 (INDIA)

	NAME	DATE
DRAWN	J.P.KAUSHIK	31-08-2011
CHECKED		
APPROVED	J.N. RAI	12-09-2011
SCALE		1:1
AREA mm <sup>2</sup>		947.403
PERIMETER mm.		179.111
WEIGHT kg/m		2.558
DRAWING No.		SECTION No.
P-11186-1		-
S3045		S3045
28050		28050

1. ALL DIMENSIONS ARE IN mm.
2. ROUND OFF ALL SHARP CORNERS WITH 0.40 mm.
3. TOLERANCES WILL BE AS PER,BS:EN-755-9 UNLESS OTHERWISE SPECIFIED

PARTY'S NAME	WENTEX INDIA PVT. LTD., MANESAR
PARTY'S DRAWING No.	AS PER DRAWING
ALLOY & TEMPER	6063 T6
DESCRIPTION	REDUCER INNER TUBE- MIDDLE TUBE